

PROJECT KEY PLAN
NOT TO SCALE

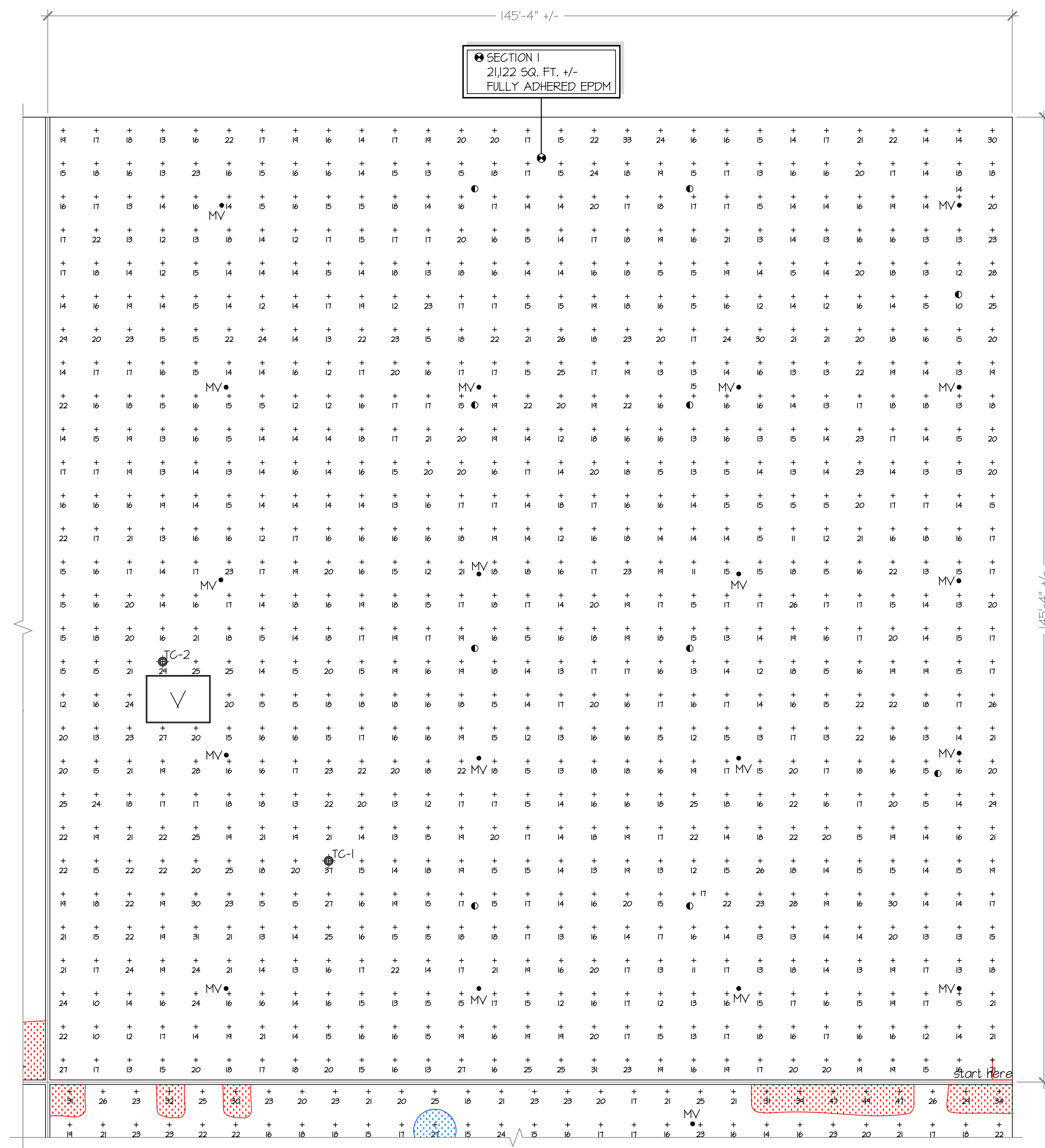
5880-515 (7/08)

rcs ROOF CONSULTING SERVICES, INC
P.O. BOX 9747
RICHMOND, VIRGINIA 23228

* SURVEYS * SPECIFICATIONS * INSPECTIONS *

Date: 01/18/2021
Project: SOUTHERN STATES COOPERATIVE
Address: 1746 LEE HIGHWAY
CLOVERDALE, VA

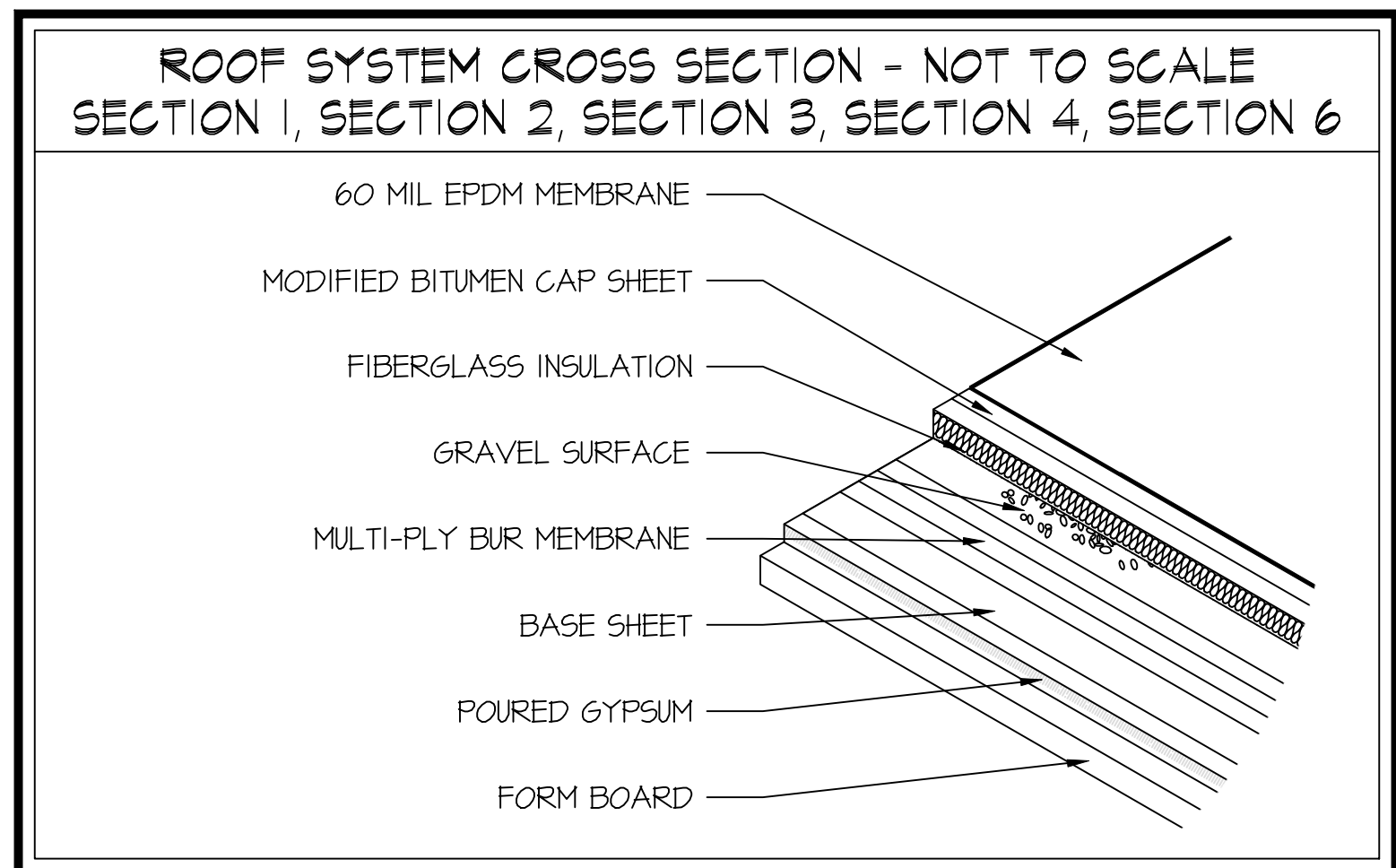
REVISIONS:			
MARK	DATE	BY:	DESCRIPTION



SYMBOL LEGEND	
TC-#	TEST CUT LOCATION NO.
	EXHAUST UNIT
HP	HOT PIPE
MV	MOISTURE RELIEF VENT
	PITCH POCKET
P	PIPE PENETRATION
	PLUMBING VENT
	ROOF DRAIN
	SQUARE VENT
	ROOF HATCH
	BUILT-IN SLEEPER
AHU	AHU ON CURB
AHU	AHU ON SUPPORT

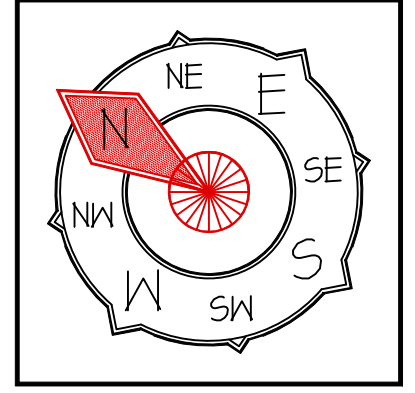
NOTE: PENETRATIONS ARE APPROXIMATE IN SIZE AND LOCATION TO BE USED AS REFERENCE POINTS ONLY

ros ROOF CONSULTING SERVICES, INC
 P.O. BOX 9747
 RICHMOND, VIRGINIA 23220
 * SURVEYS * SPECIFICATIONS * INSPECTIONS *
 (804) 515-0885

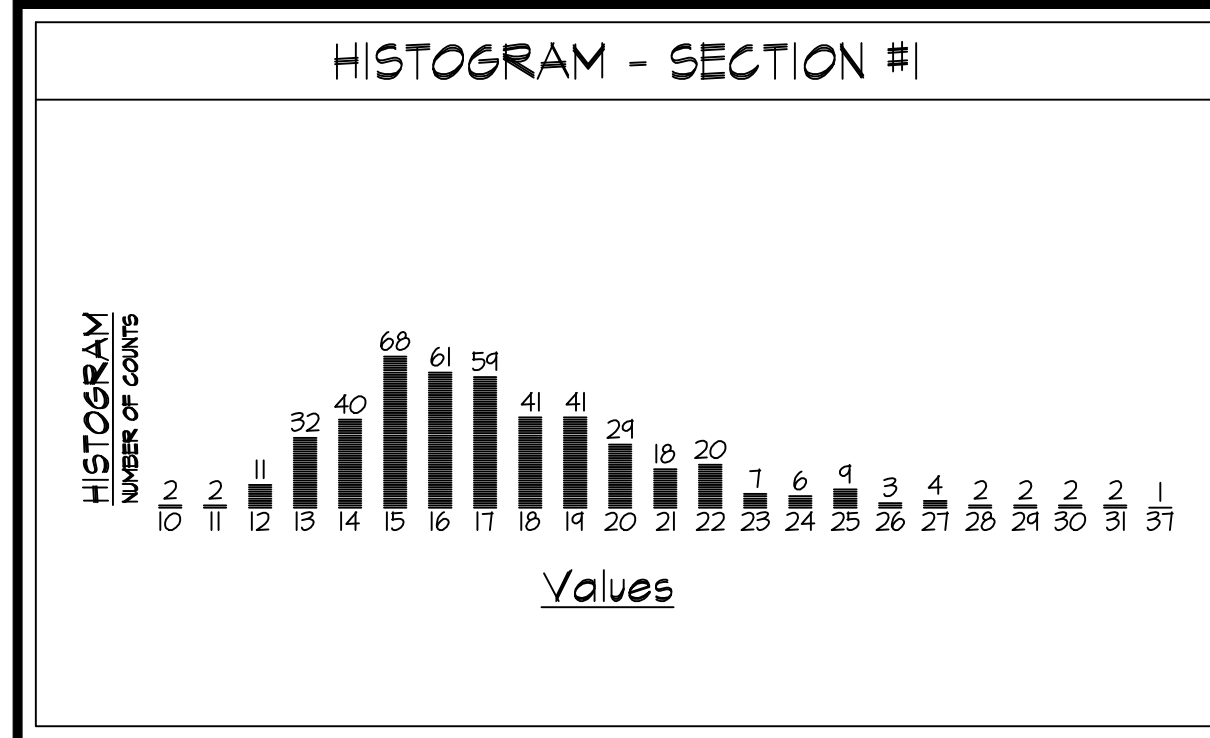


REVISIONS:	DATE:	DESCRIPTION:
MARK:		

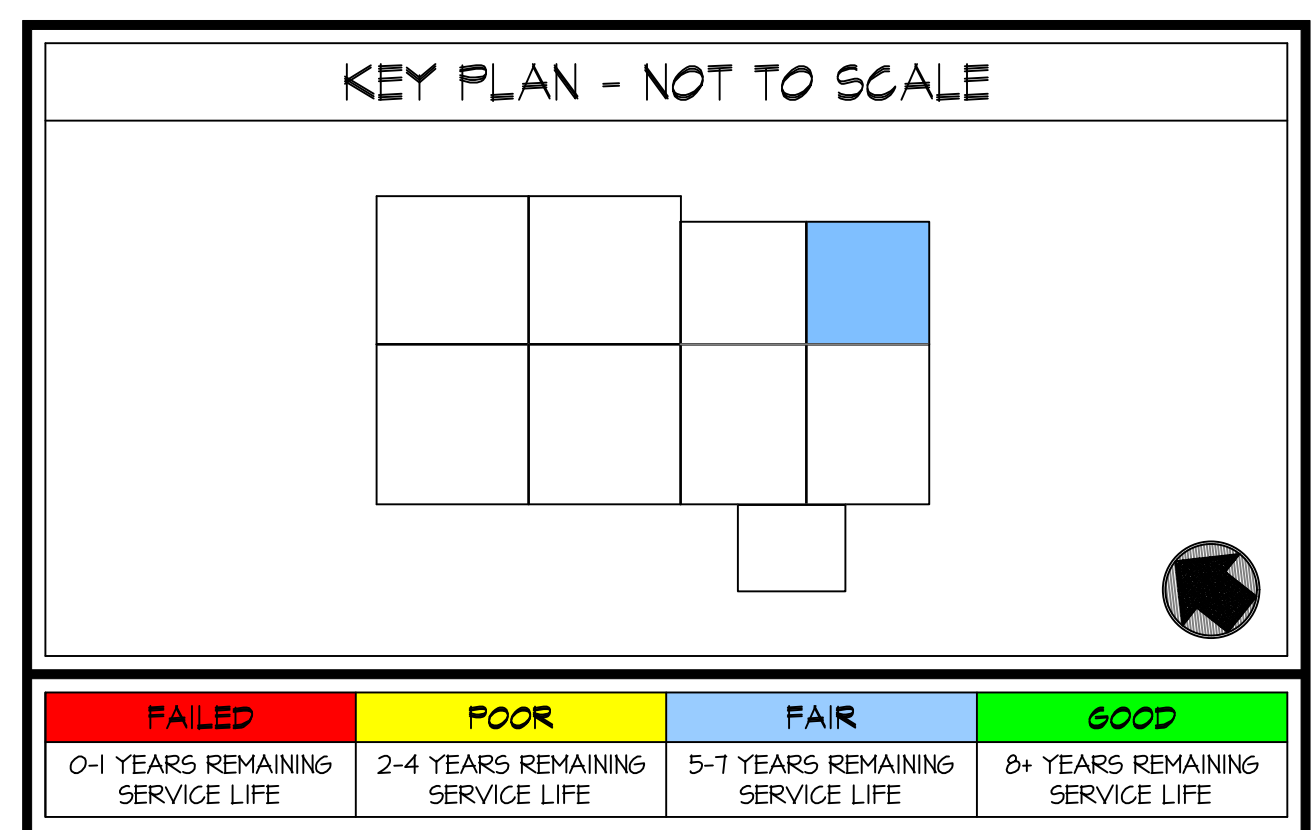
DATE: 8/05/2022
 DRAWN BY: D.C.S.
 SCALE: 3/32"=1'-0"
 CHECKED BY: J.R.L.G. IV



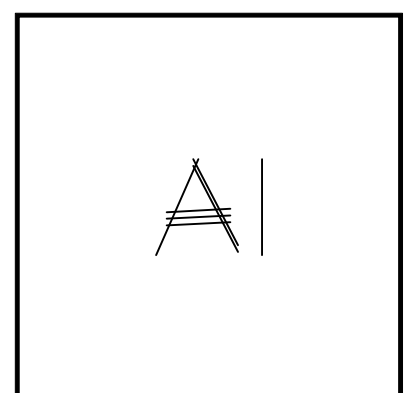
AI TOTAL PROJECT ROOF AREA - 254,661 SQ. FT. +/-
 SCALE: 3/32"=1'-0"

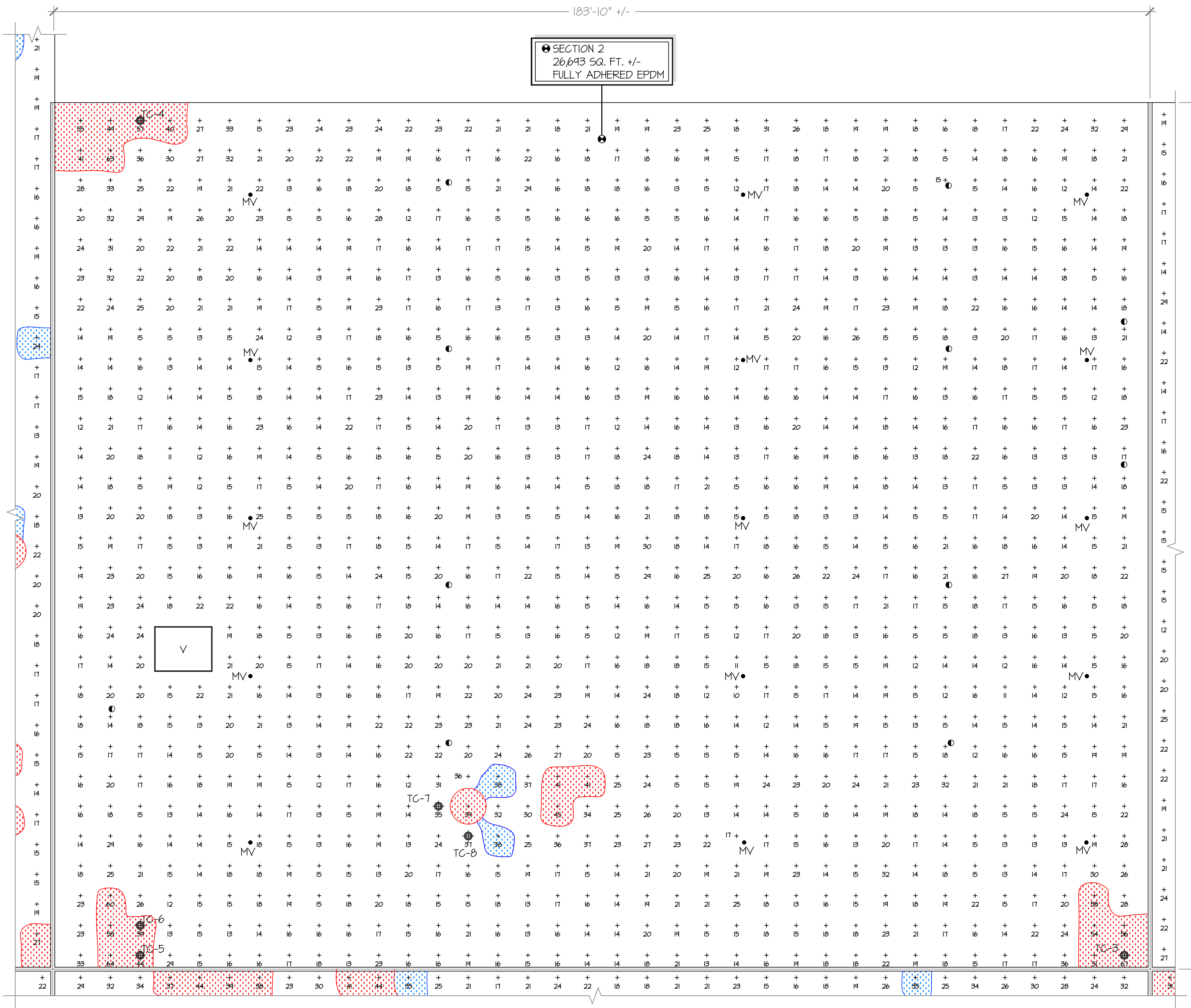


SECTION I CONTOUR LEGEND			
MOISTURE LEVELS	LEGEND	VALUES	PERCENTAGE
LEVEL I - DRY		10-31	100%
LEVEL II - DAMP		N/A	N/A
LEVEL III - WET		N/A	N/A



INFRARED MOISTURE SURVEY
 CLIENT: SOUTHERN STATES COOPERATIVE
 PROJECT: SOUTHERN STATES COOPERATIVE
 ADDRESS: 1796 LEE HIGHWAY
 CLOVERDALE, VA
 DRAWING: ROOF PLAN





SYMBOL LEGEND

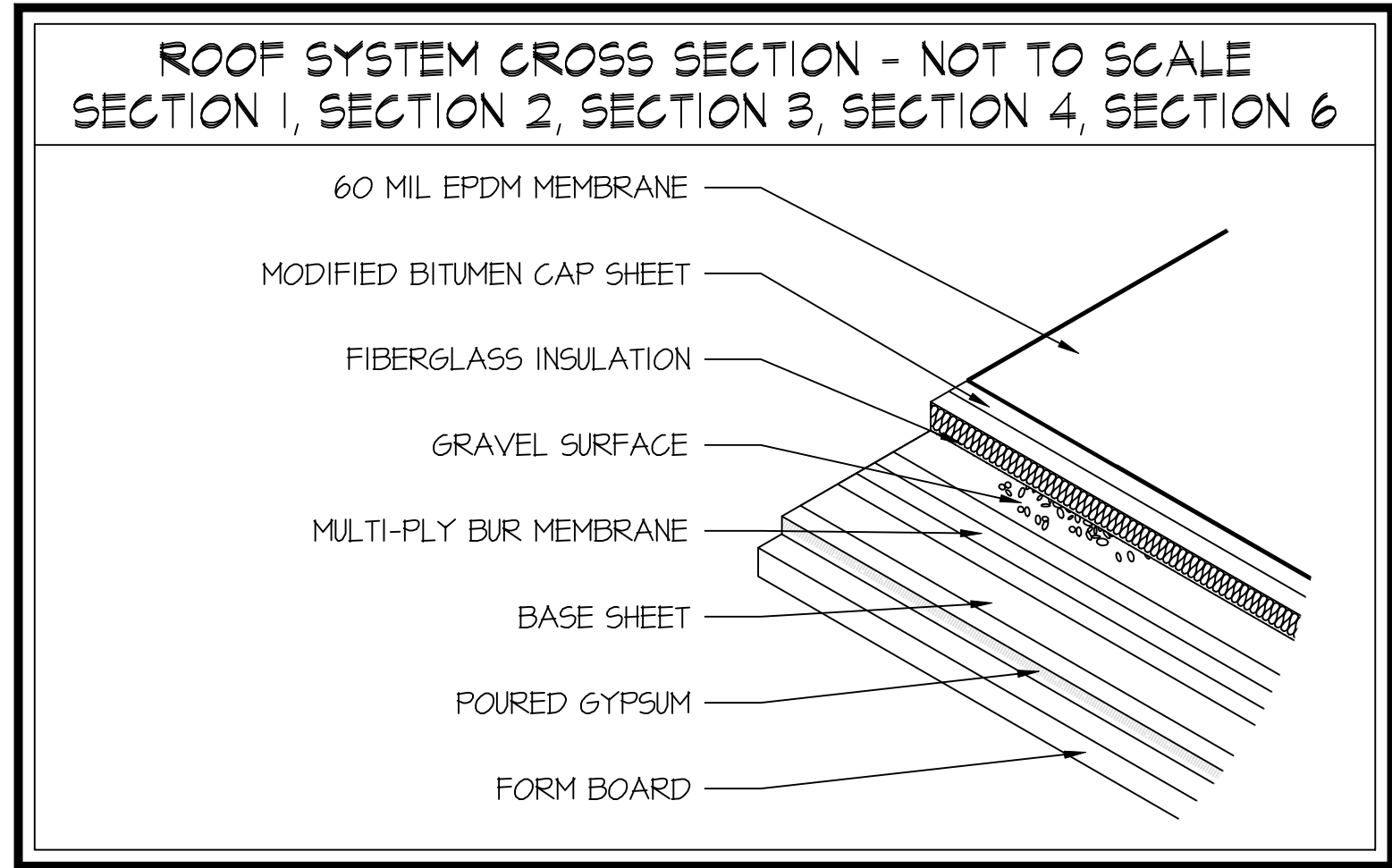
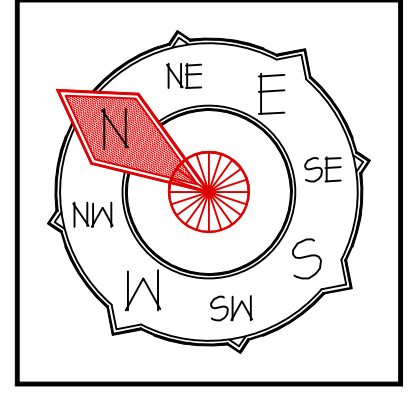
- TC-# TEST CUT LOCATION NO.
- EXHAUST UNIT
- HP HOT PIPE
- MV MOISTURE RELIEF VENT
- PITCH POCKET
- P PIPE PENETRATION
- PLUMBING VENT
- ROOF DRAIN
- SQUARE VENT
- ROOF HATCH
- BUILT-IN SLEEPER
- AHU ON CURB
- AHU ON SUPPORT

NOTE: PENETRATIONS ARE APPROXIMATE IN SIZE AND LOCATION TO BE USED AS REFERENCE POINTS ONLY

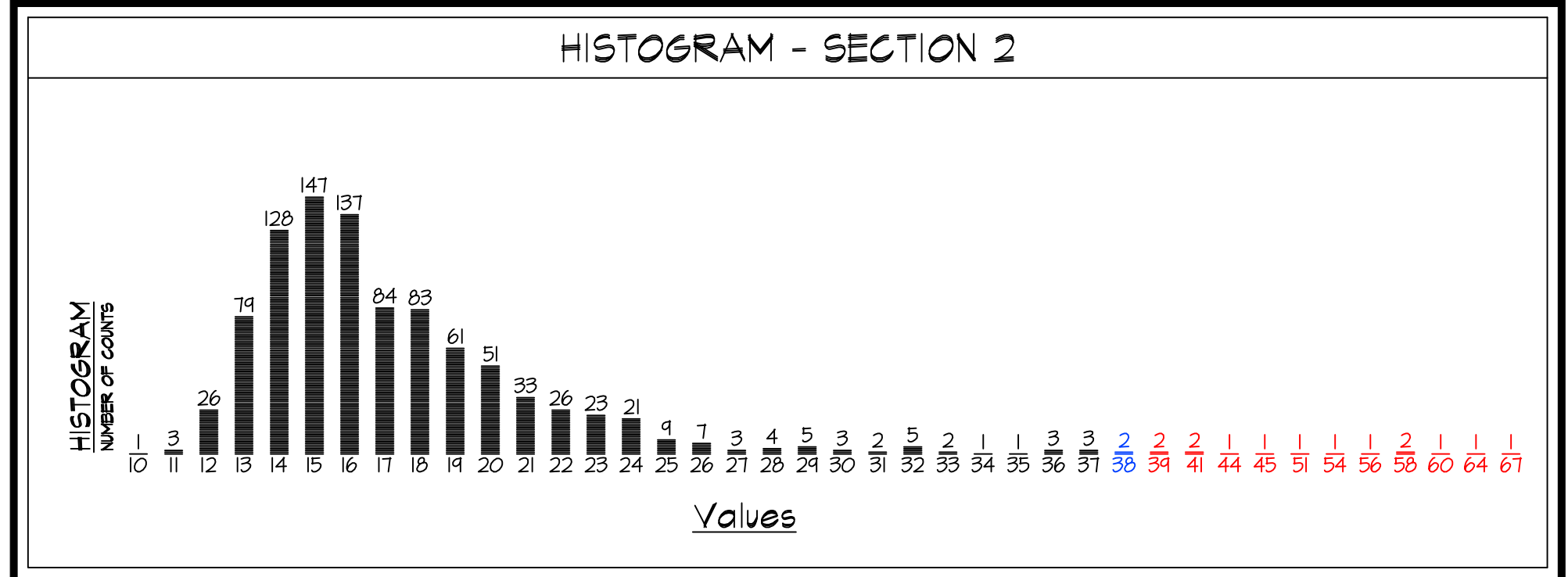
ROS ROOF CONSULTING SERVICES, INC
 P.O. BOX 9747
 RICHMOND, VIRGINIA 23220
 * SURVEYS * SPECIFICATIONS * INSPECTIONS *
 (804) 515-0885

REVISIONS:	MARK:	DATE:	DESCRIPTION:

DATE: 8/05/2022
 DRAWN BY: J.D.S.
 SCALE: 3/32"=1'-0"
 CHECKED BY: J.R.L.G. IV

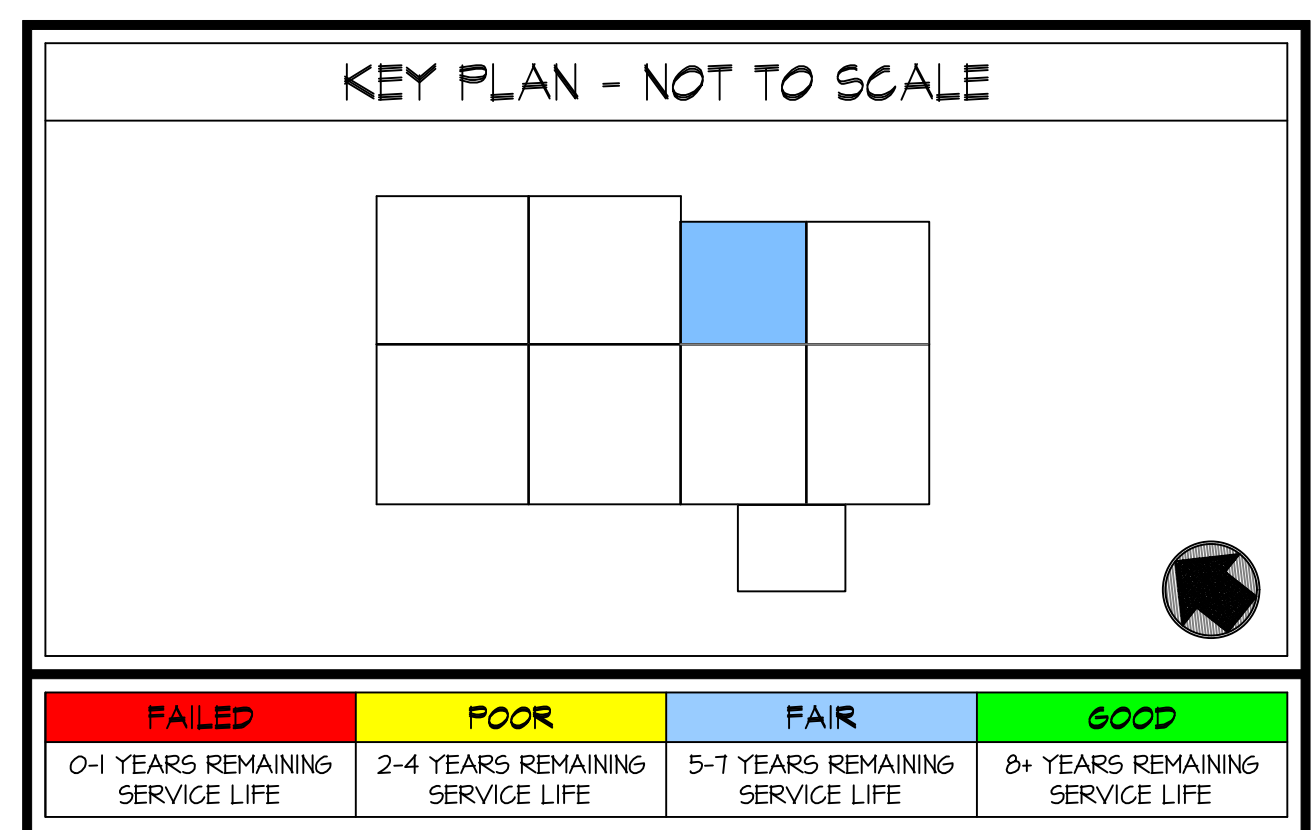


1 TOTAL PROJECT ROOF AREA - 254,661 SQ. FT. +/-
 A2 SCALE: 3/32"=1'-0"

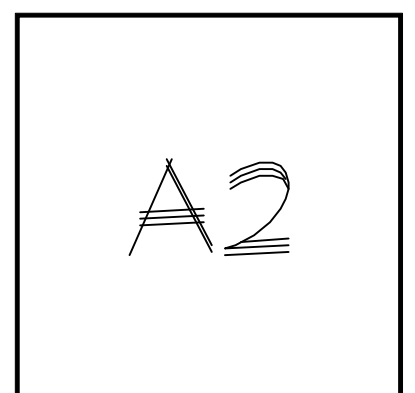


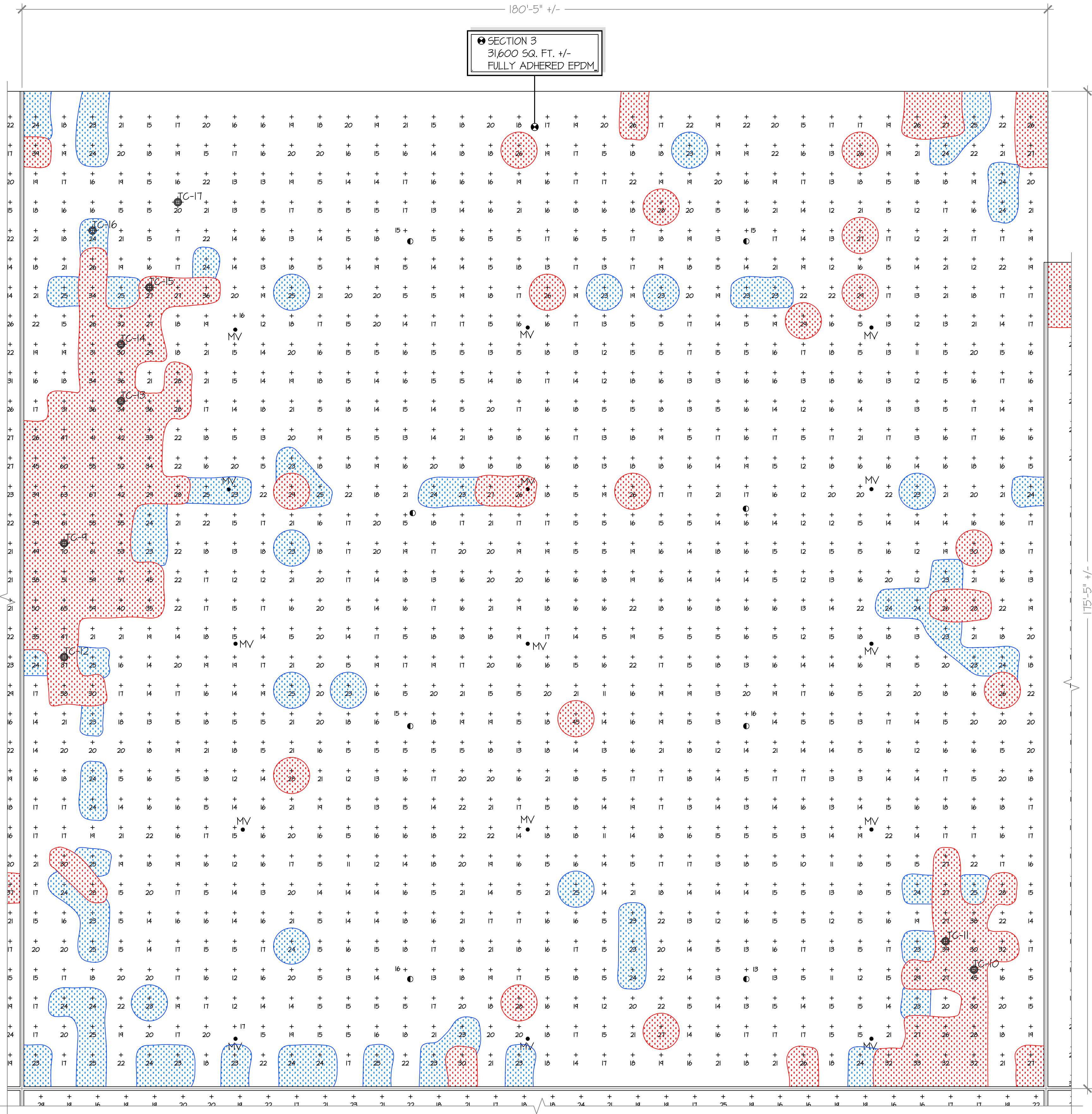
SECTION 2 CONTOUR LEGEND

MOISTURE LEVELS	LEGEND	VALUES	PERCENTAGE
LEVEL I - DRY	(White)	10-31	98.3%
LEVEL II - DAMP	(Blue Dotted)	38	0.2%
LEVEL III - WET	(Red Dotted)	39-67	1.4%



INFRARED MOISTURE SURVEY
 CLIENT: SOUTHERN STATES COOPERATIVE
 PROJECT: SOUTHERN STATES COOPERATIVE
 ADDRESS: 1796 LEE HIGHWAY
 CLOVERDALE, VA
 DRAWING: ROOF PLAN



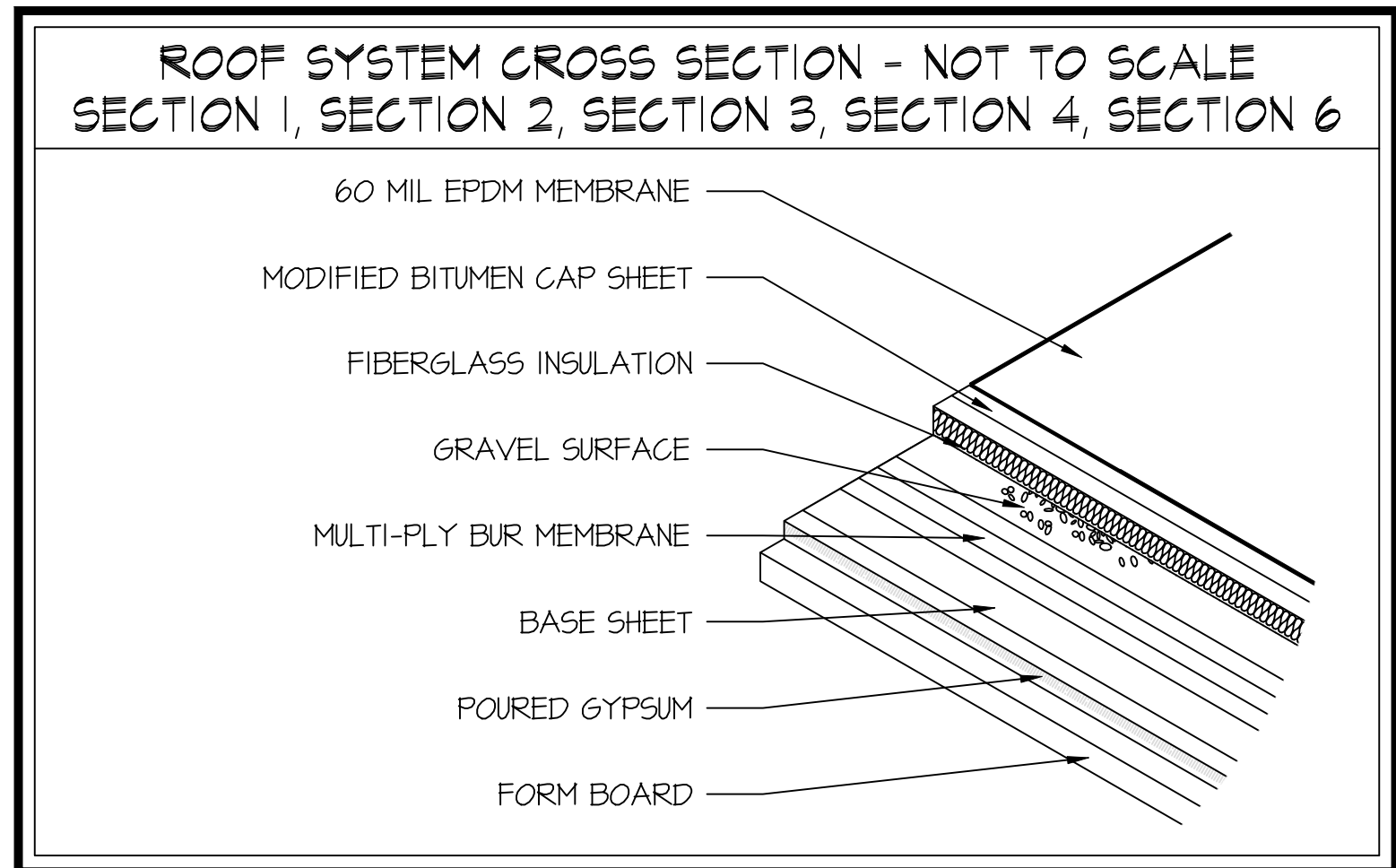


SYMBOL LEGEND

- TC-# TEST CUT LOCATION NO.
- EXHAUST UNIT
- HP HOT PIPE
- MV MOISTURE RELIEF VENT
- PITCH POCKET
- P PIPE PENETRATION
- PLUMBING VENT
- ROOF DRAIN
- SQUARE VENT
- ROOF HATCH
- BUILT-IN SLEEPER
- AHU ON CURB
- AHU ON SUPPORT

NOTE: PENETRATIONS ARE APPROXIMATE IN SIZE AND LOCATION TO BE USED AS REFERENCE POINTS ONLY

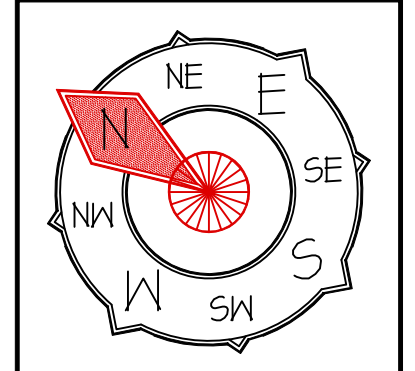
ROS ROOF CONSULTING SERVICES, INC
 P.O. BOX 9747
 RICHMOND, VIRGINIA 23220
 * SURVEYS * SPECIFICATIONS * INSPECTIONS *
 (804) 515-0885



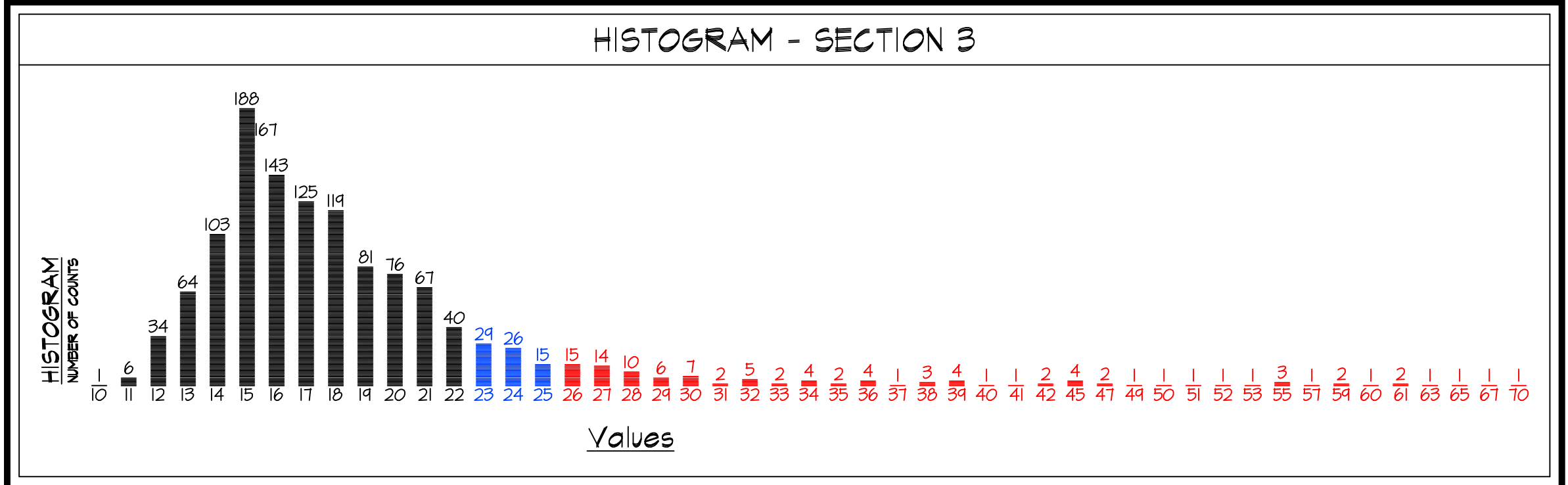
REVISIONS:

MARK	DATE	DESCRIPTION

DATE: 8/05/2022
 DRAWN BY: D.C.S.
 SCALE: 3/32"=1'-0"
 CHECKED BY: J.R.L.G. IV



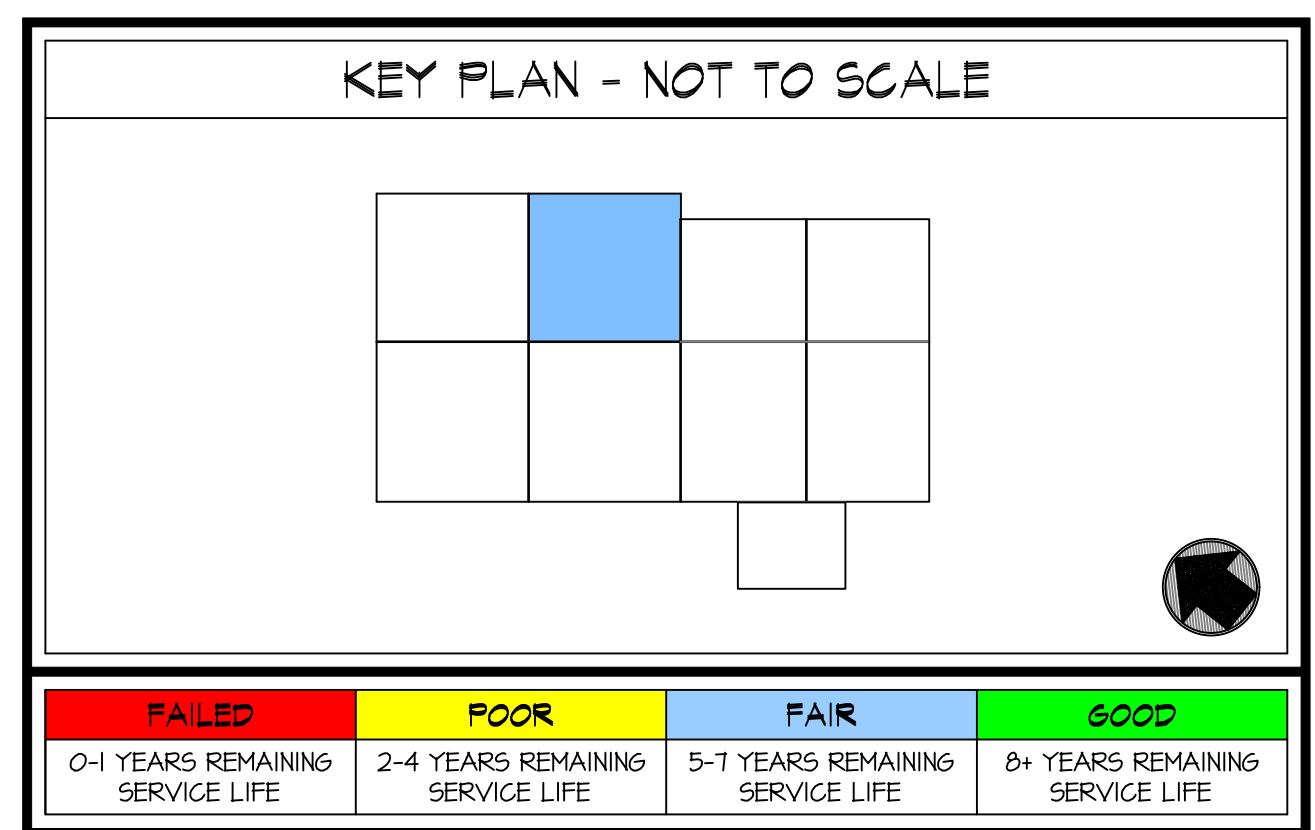
INFRARED MOISTURE SURVEY
 CLIENT: SOUTHERN STATES COOPERATIVE
 PROJECT: SOUTHERN STATES COOPERATIVE
 ADDRESS: 1796 LEE HIGHWAY
 CLOVERDALE, VA
 DRAWING: ROOF PLAN



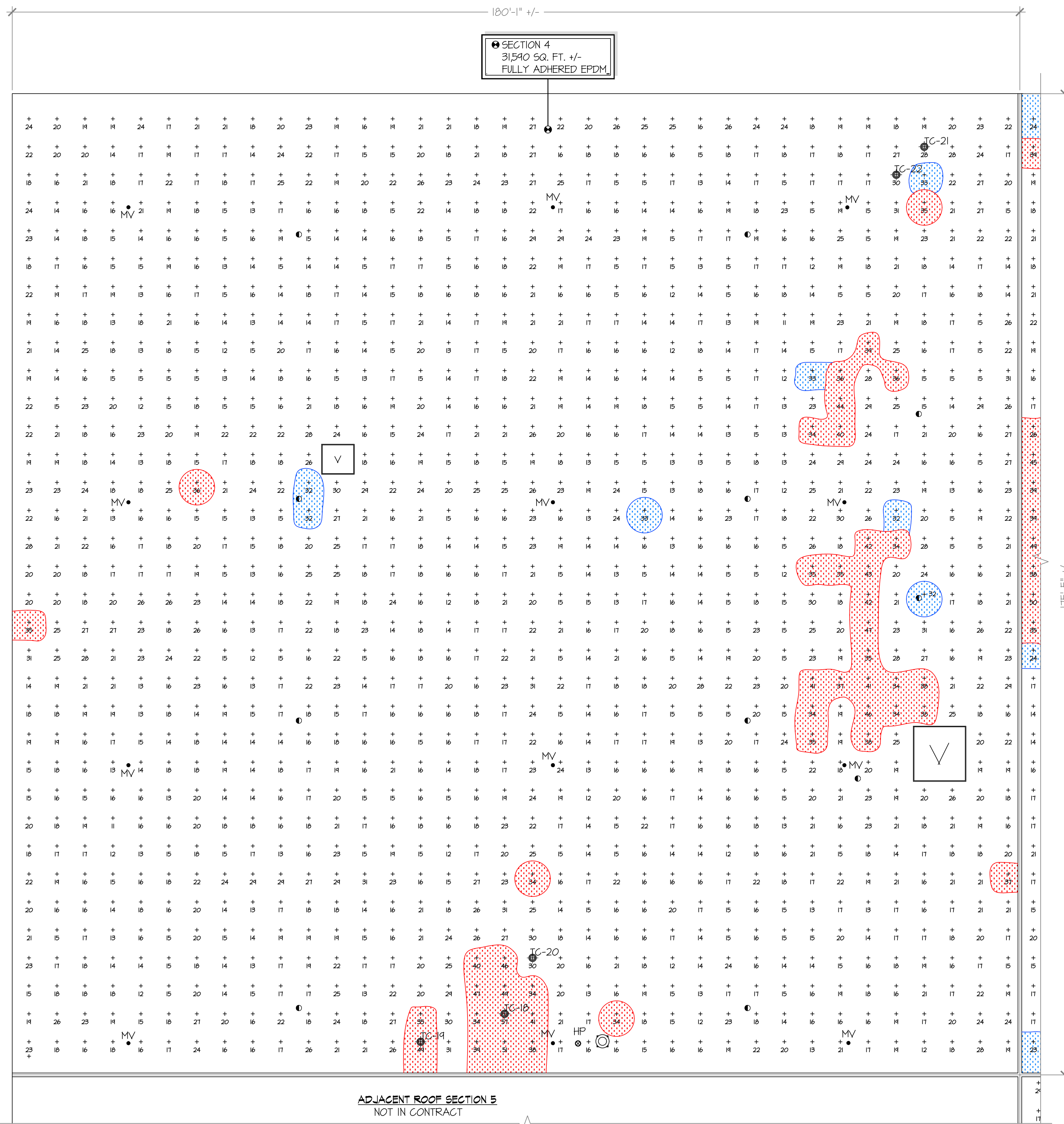
1 TOTAL PROJECT ROOF AREA - 254,661 SQ. FT. +/-
 A3 SCALE: 3/32"=1'-0"

SECTION 3 CONTOUR LEGEND

MOISTURE LEVELS	LEGEND	VALUES	PERCENTAGE
LEVEL I - DRY	(White)	10-22	85.5%
LEVEL II - DAMP	(Blue Dotted)	23-25	5.1%
LEVEL III - WET	(Red Dotted)	26-70	8.7%



A3

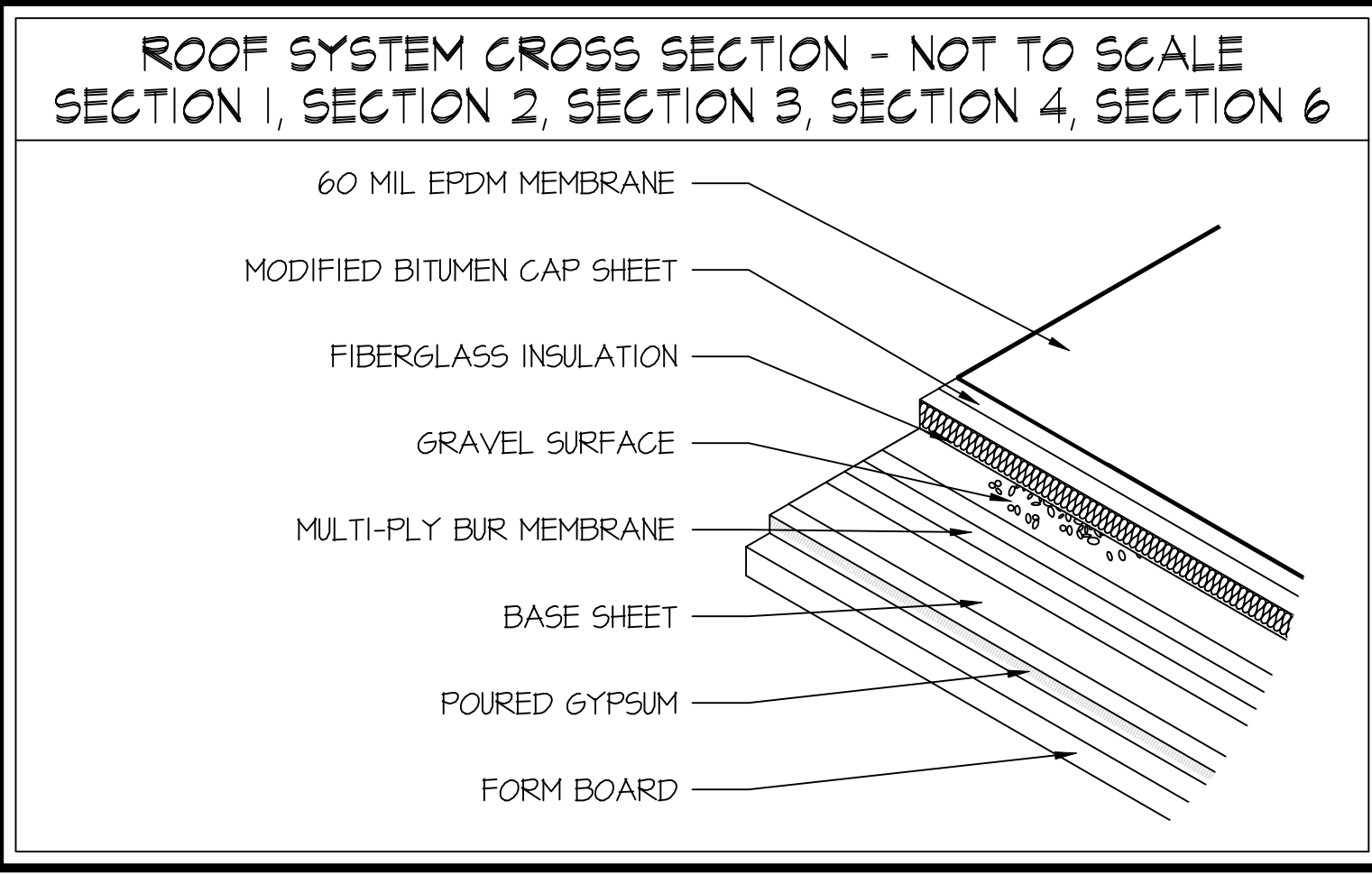


ADJACENT ROOF SECTION 5
NOT IN CONTRACT

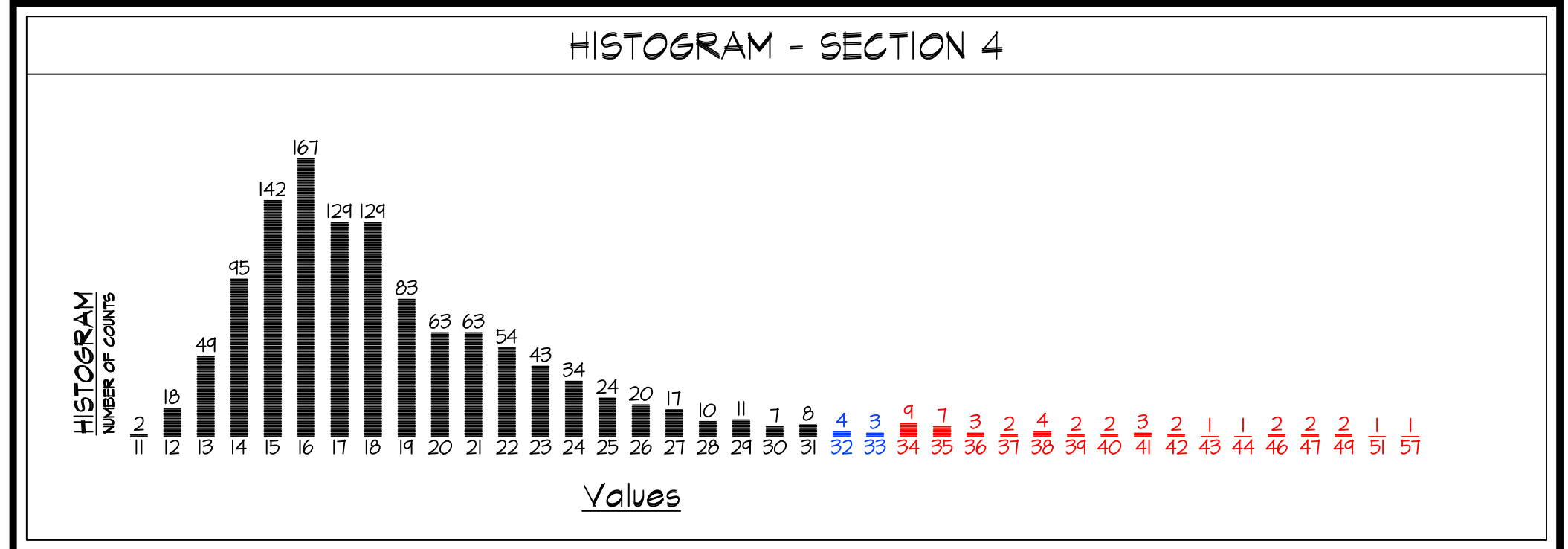
SYMBOL LEGEND

- TC-# TEST CUT LOCATION NO.
- EXHAUST UNIT
- HP HOT PIPE
- MV MOISTURE RELIEF VENT
- PITCH POCKET
- P PIPE PENETRATION
- PLUMBING VENT
- ROOF DRAIN
- SQUARE VENT
- ROOF HATCH
- BUILT-IN SLEEPER
- AHU ON CURB
- AHU ON SUPPORT

NOTE: PENETRATIONS ARE APPROXIMATE IN SIZE AND LOCATION TO BE USED AS REFERENCE POINTS ONLY

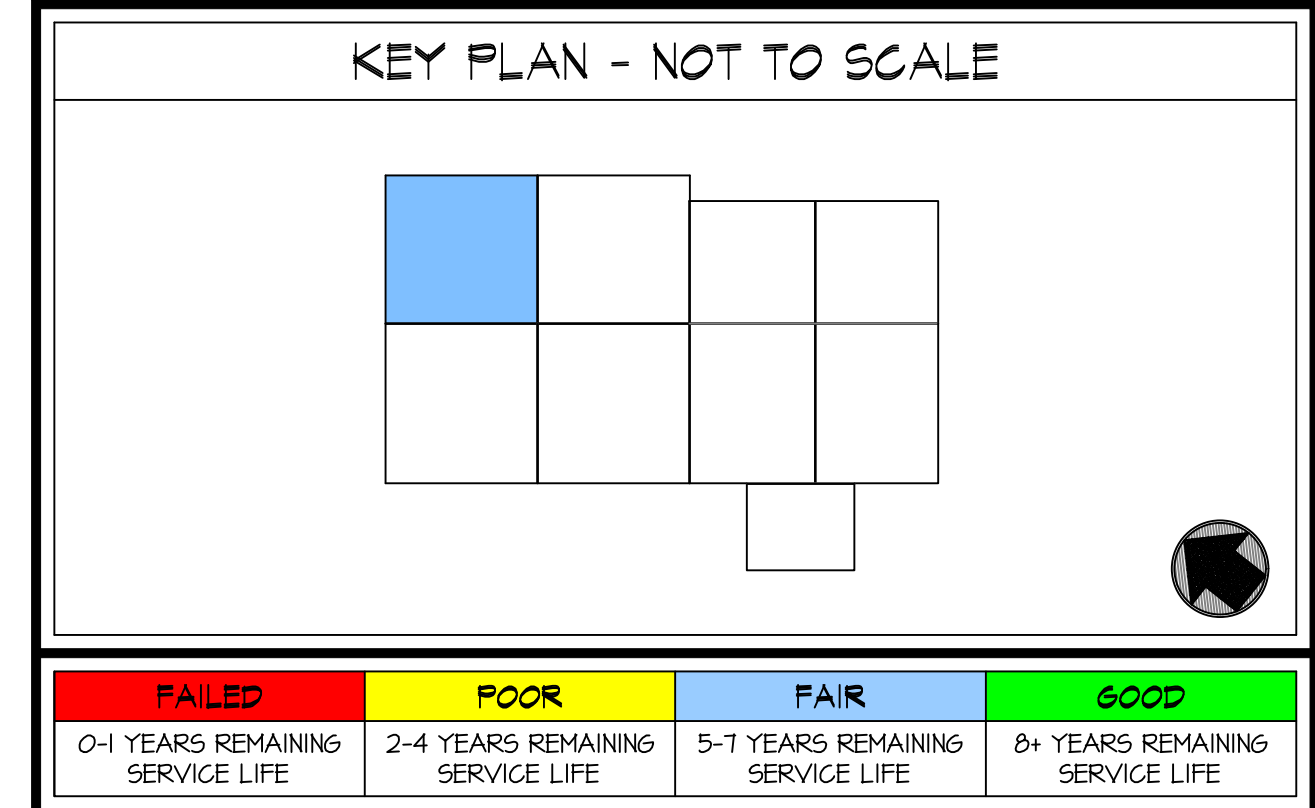


1 TOTAL PROJECT ROOF AREA - 254,661 SQ. FT. +/-
A4 SCALE: 3/32"=1'-0"



SECTION 4 CONTOUR LEGEND

MOISTURE LEVELS	LEGEND	VALUES	PERCENTAGE
LEVEL I - DRY	(White)	11-31	95.0%
LEVEL II - DAMP	(Blue)	32-33	0.6%
LEVEL III - WET	(Red)	34-51	3.6%



ROOF CONSULTING SERVICES, INC
P.O. BOX 9747
RICHMOND, VIRGINIA 23228

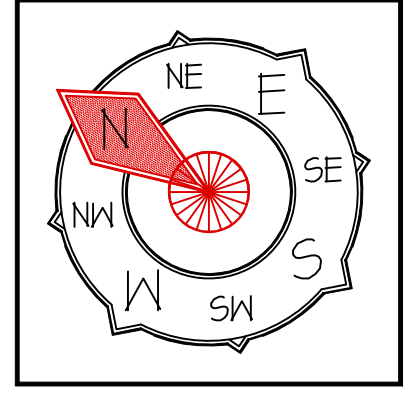
ros

* SURVEYS * SPECIFICATIONS * INSPECTIONS *

(804) 515-0885

REVISIONS:	MARK:	DATE:	DESCRIPTION:

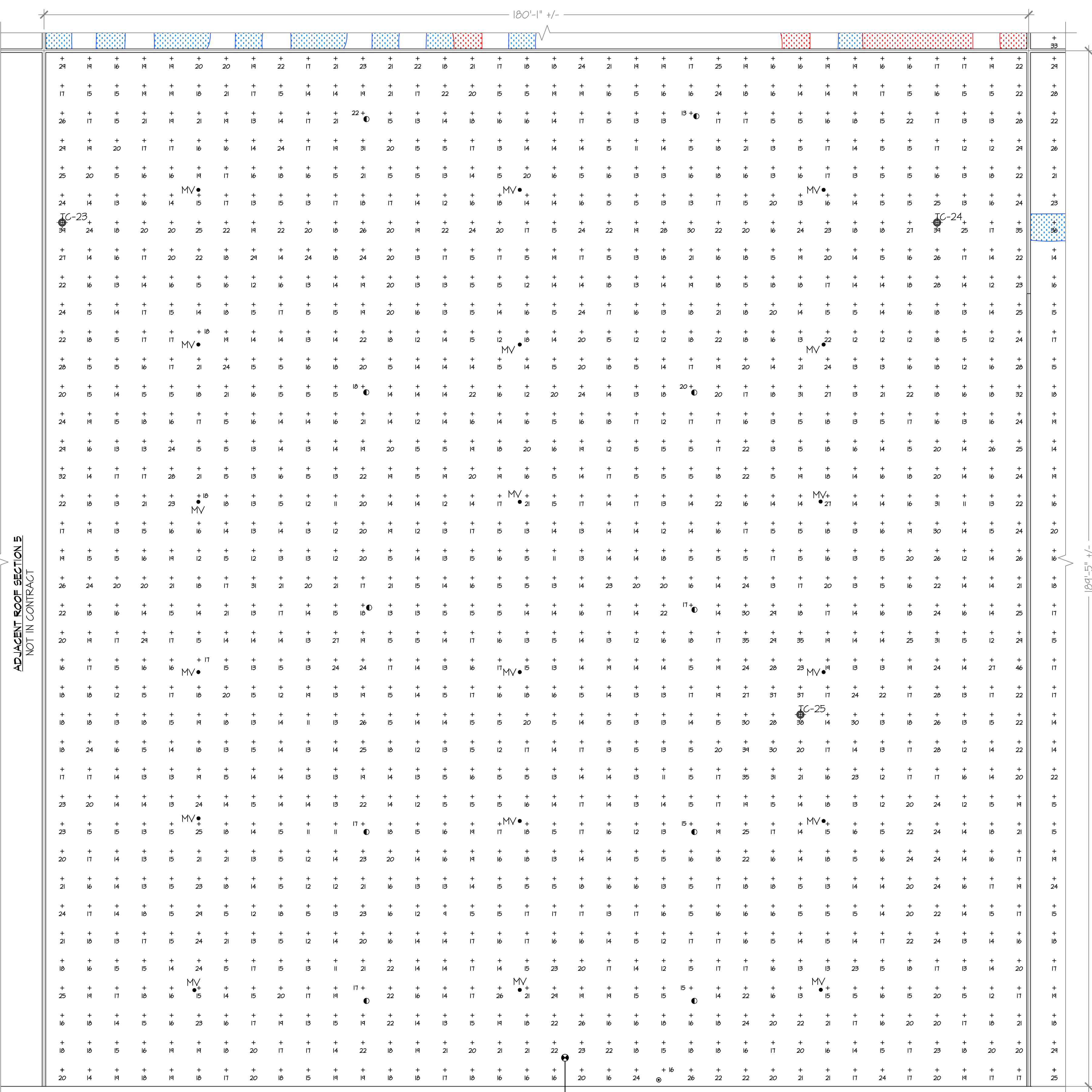
DATE: 8/05/2022
DRAWN BY: D.C.S.
SCALE: 3/32"=1'-0"
CHECKED BY: J.R.L.G. IV



INFRARED MOISTURE SURVEY

CLIENT: SOUTHERN STATES COOPERATIVE
PROJECT: SOUTHERN STATES COOPERATIVE
ADDRESS: 1796 LEE HIGHWAY
CLOVERDALE, VA
DRAWING: ROOF PLAN

A4



SECTION 6
34,111 SQ. FT. +/-
FULLY ADHERED EPDM

A5 TOTAL PROJECT ROOF AREA - 254,661 SQ. FT. +/-
SCALE: 3/32"=1'-0"

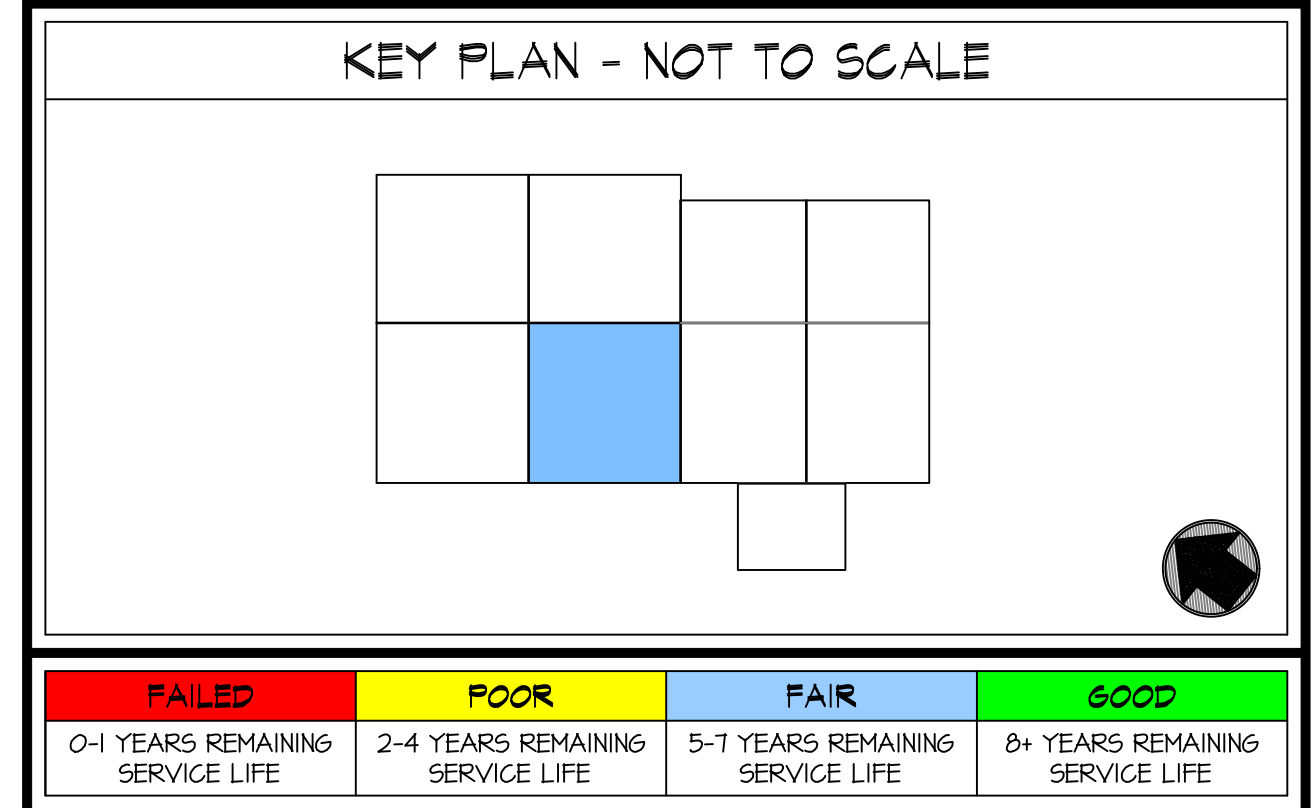
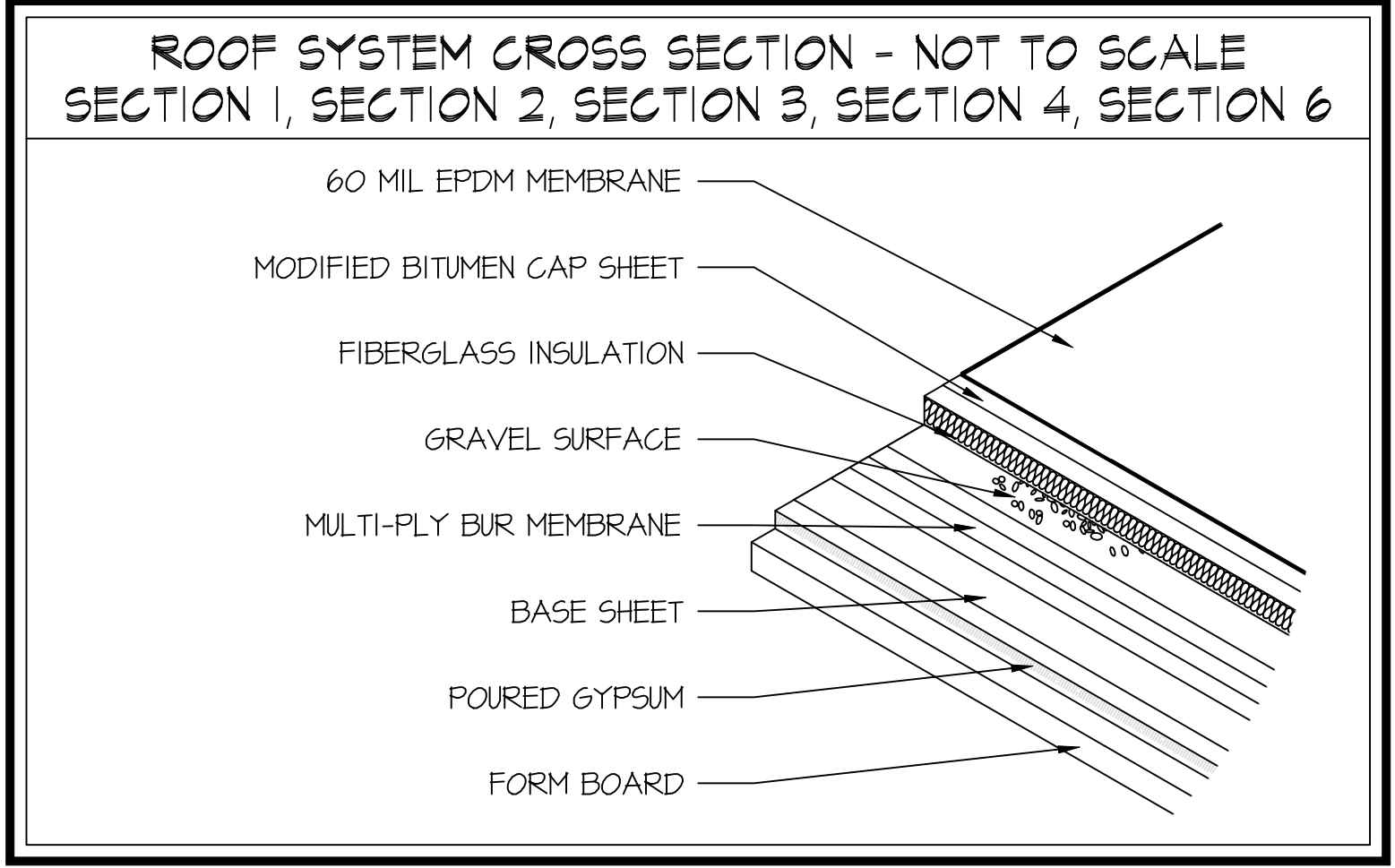
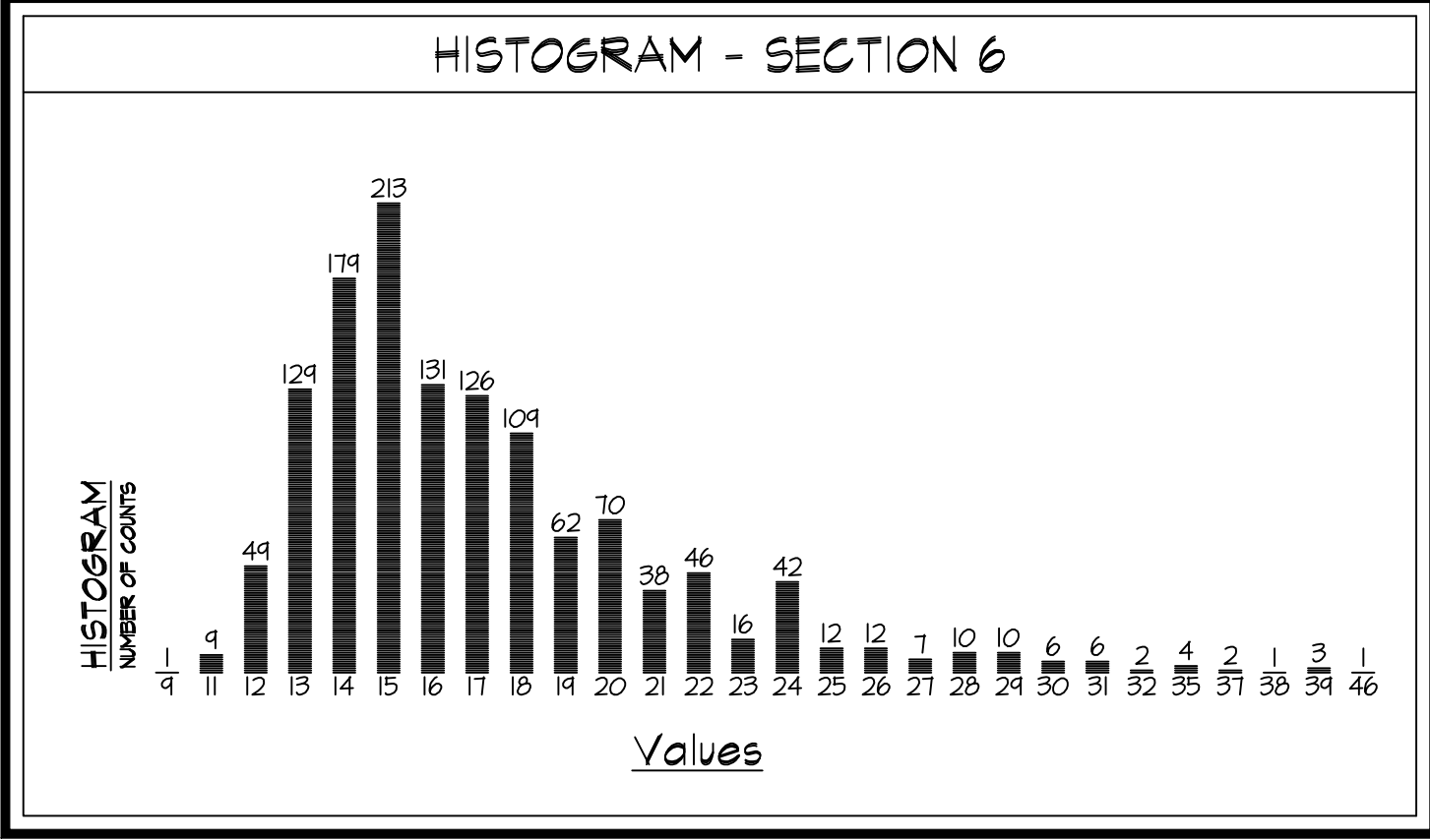
SECTION 6 CONTOUR LEGEND

MOISTURE LEVELS	LEGEND	VALUES	PERCENTAGE
LEVEL I - DRY		9-46	100%
LEVEL II - DAMP		N/A	N/A
LEVEL III - WET		N/A	N/A

SYMBOL LEGEND

- TC-# TEST CUT LOCATION NO.
- EXHAUST UNIT
- HP HOT PIPE
- MV MOISTURE RELIEF VENT
- PITCH POCKET
- P PIPE PENETRATION
- PLUMBING VENT
- ROOF DRAIN
- SQUARE VENT
- ROOF HATCH
- BUILT-IN SLEEPER
- AHU AHU ON CURB
- AHU AHU ON SUPPORT

NOTE: PENETRATIONS ARE APPROXIMATE IN SIZE AND LOCATION TO BE USED AS REFERENCE POINTS ONLY



ROOF CONSULTING SERVICES, INC
P.O. BOX 9747
RICHMOND, VIRGINIA 23228

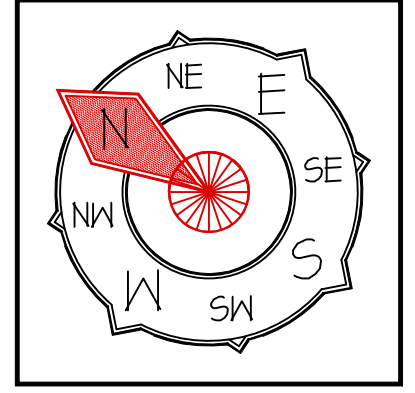
ros

* SURVEYS * SPECIFICATIONS * INSPECTIONS *

(804) 515-0885

REVISIONS:	DATE:	DESCRIPTION:
MARK:		

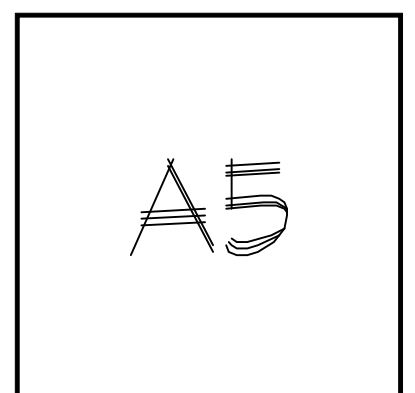
DATE: 8/05/2022
DRAWN BY: D.C.S.
SCALE: 3/32"=1'-0"
CHECKED BY: J.R.L.G. IV

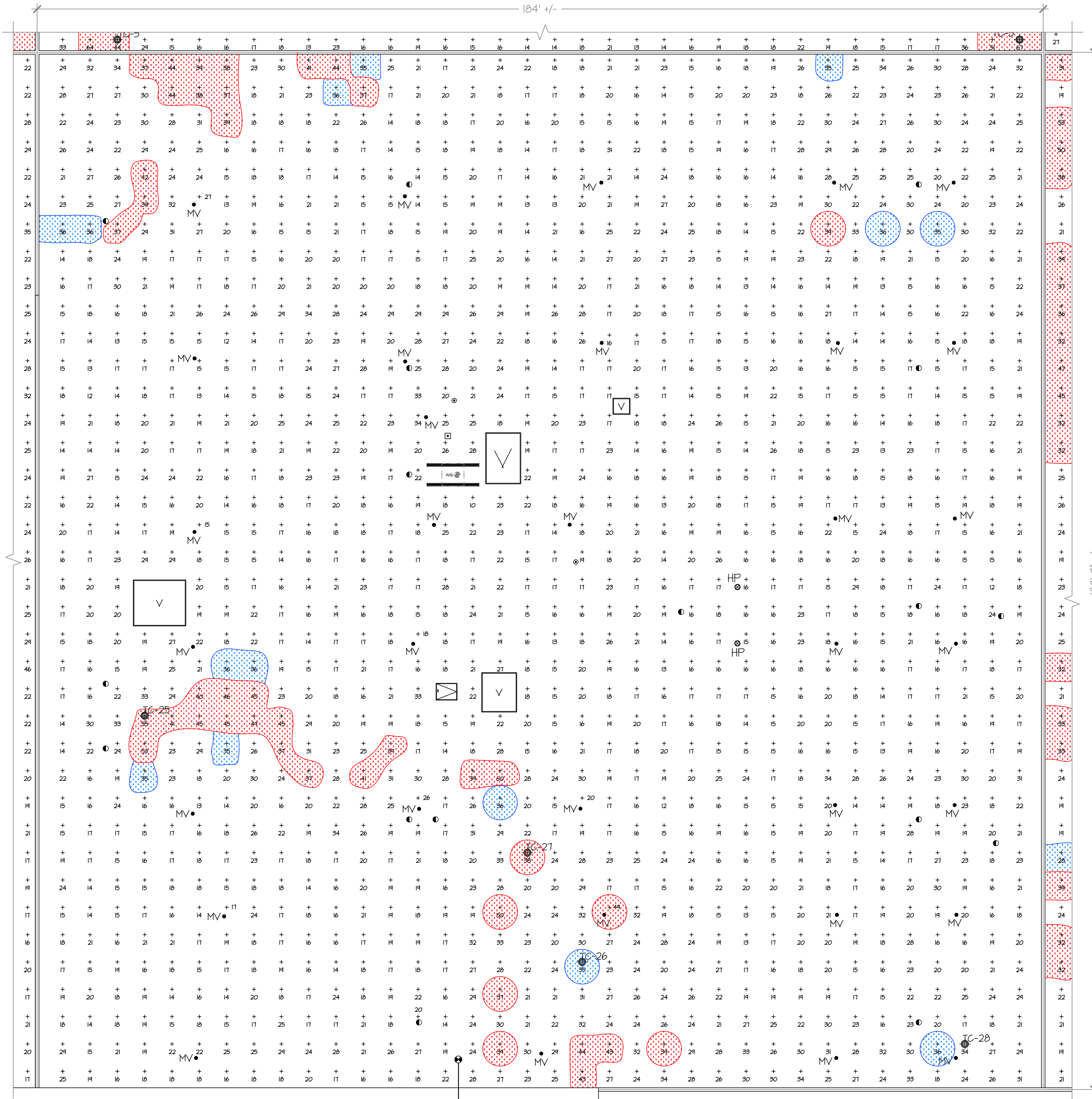


INFRARED MOISTURE SURVEY

CLIENT: SOUTHERN STATES COOPERATIVE
PROJECT: SOUTHERN STATES COOPERATIVE
ADDRESS: 1796 LEE HIGHWAY
CLOVERDALE, VA

DRAWING: ROOF PLAN





SECTION 7
34,790 SQ. FT. +/-
MECHANICALLY ATTACHED EPDM

ADJACENT ROOF SECTION 9
NOT IN CONTRACT

1 TOTAL PROJECT ROOF AREA - 254,661 SQ. FT. +/-
A6 SCALE: 3/32"=1'-0"

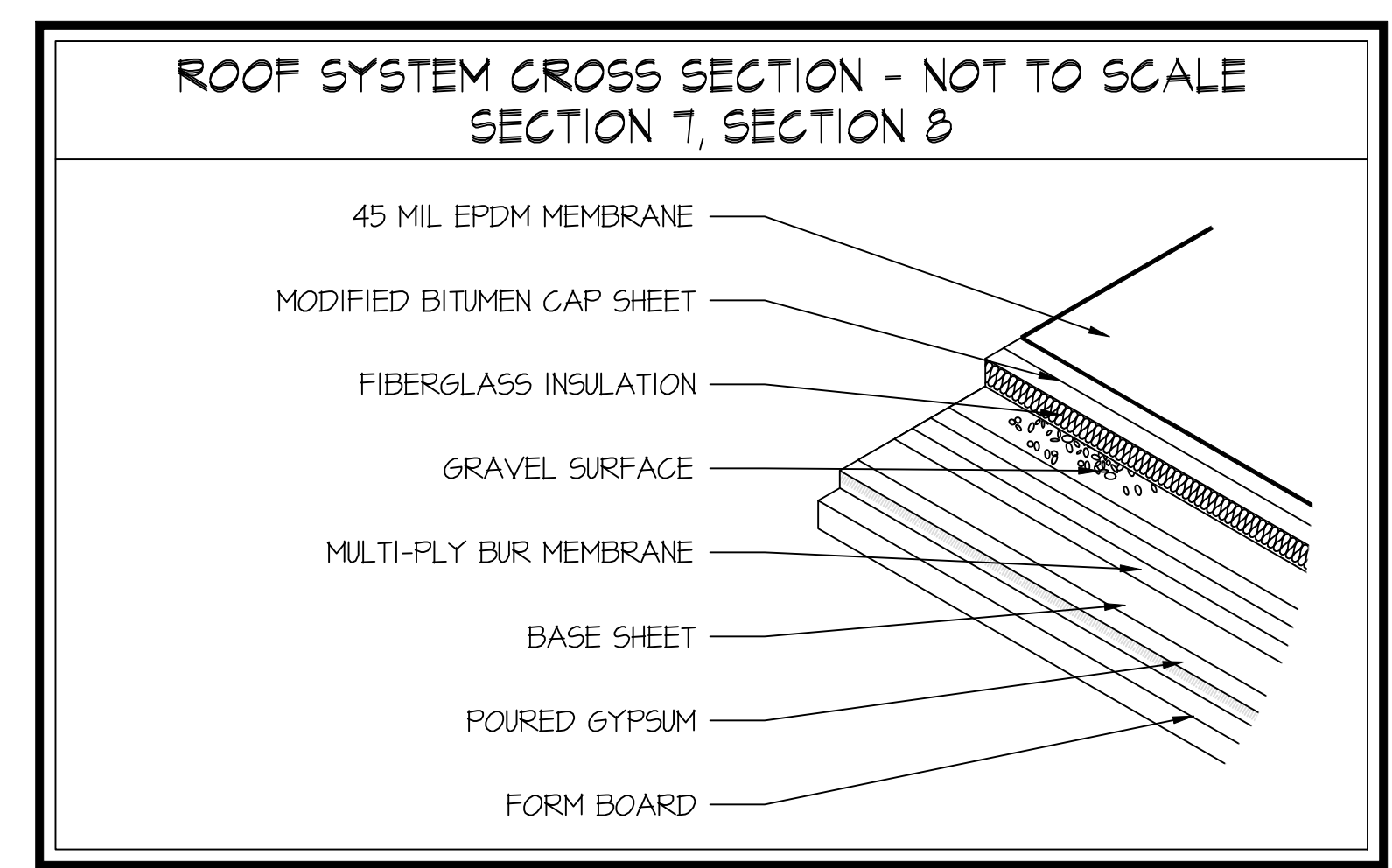
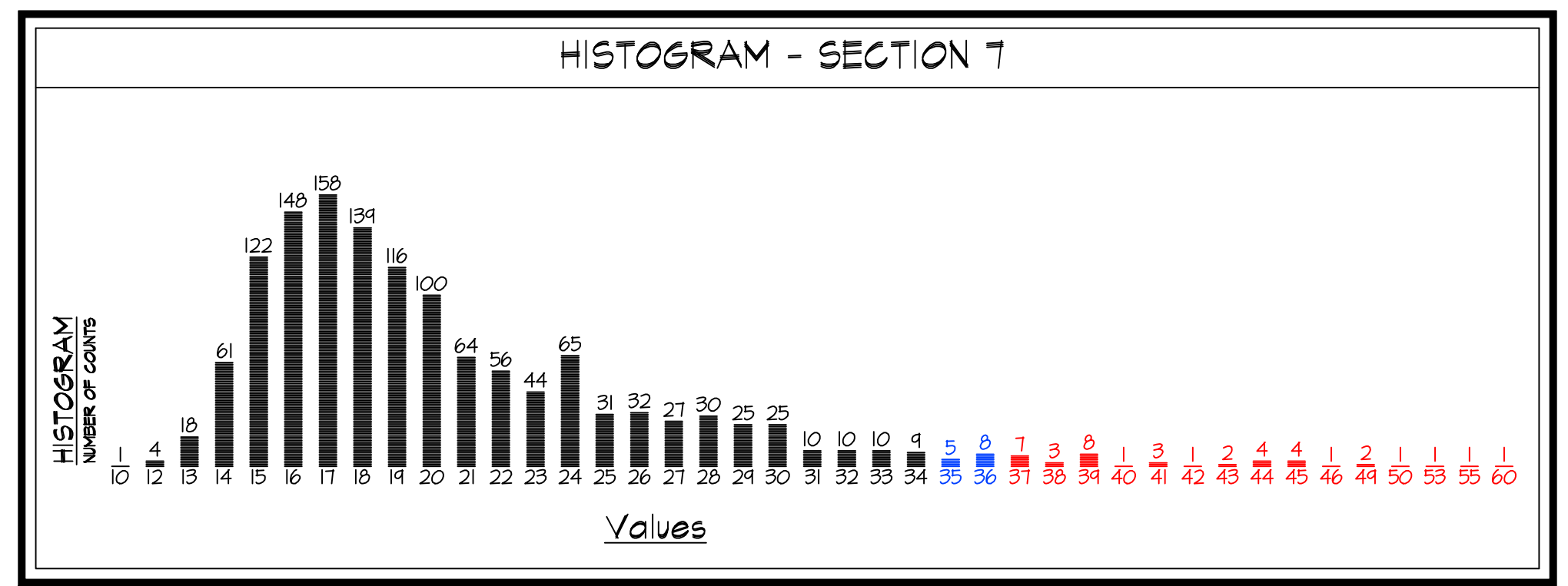
SECTION 7 CONTOUR LEGEND

MOISTURE LEVELS	LEGEND	VALUES	PERCENTAGE
LEVEL I - DRY		10-34	96.1%
LEVEL II - DAMP		35-36	1.0%
LEVEL III - WET		37-60	2.9%

SYMBOL LEGEND

- TC-# TEST CUT LOCATION NO.
- EXHAUST UNIT
- HP HOT PIPE
- MV MOISTURE RELIEF VENT
- PITCH POCKET
- P PIPE PENETRATION
- PLUMBING VENT
- ROOF DRAIN
- SQUARE VENT
- ROOF HATCH
- BUILT-IN SLEEPER
- AHU AHU ON CURB
- AHU AHU ON SUPPORT

NOTE: PENETRATIONS ARE APPROXIMATE IN SIZE AND LOCATION TO BE USED AS REFERENCE POINTS ONLY



KEY PLAN - NOT TO SCALE

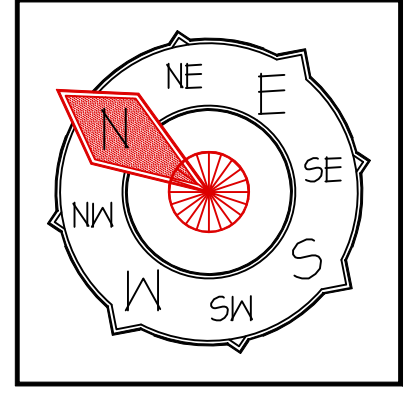
FAILED	POOR	FAIR	GOOD
0-1 YEARS REMAINING SERVICE LIFE	2-4 YEARS REMAINING SERVICE LIFE	5-7 YEARS REMAINING SERVICE LIFE	8+ YEARS REMAINING SERVICE LIFE

ROS ROOF CONSULTING SERVICES, INC
P.O. BOX 9747
RICHMOND, VIRGINIA 23228
* SURVEYS * SPECIFICATIONS * INSPECTIONS *

(804) 515-0885

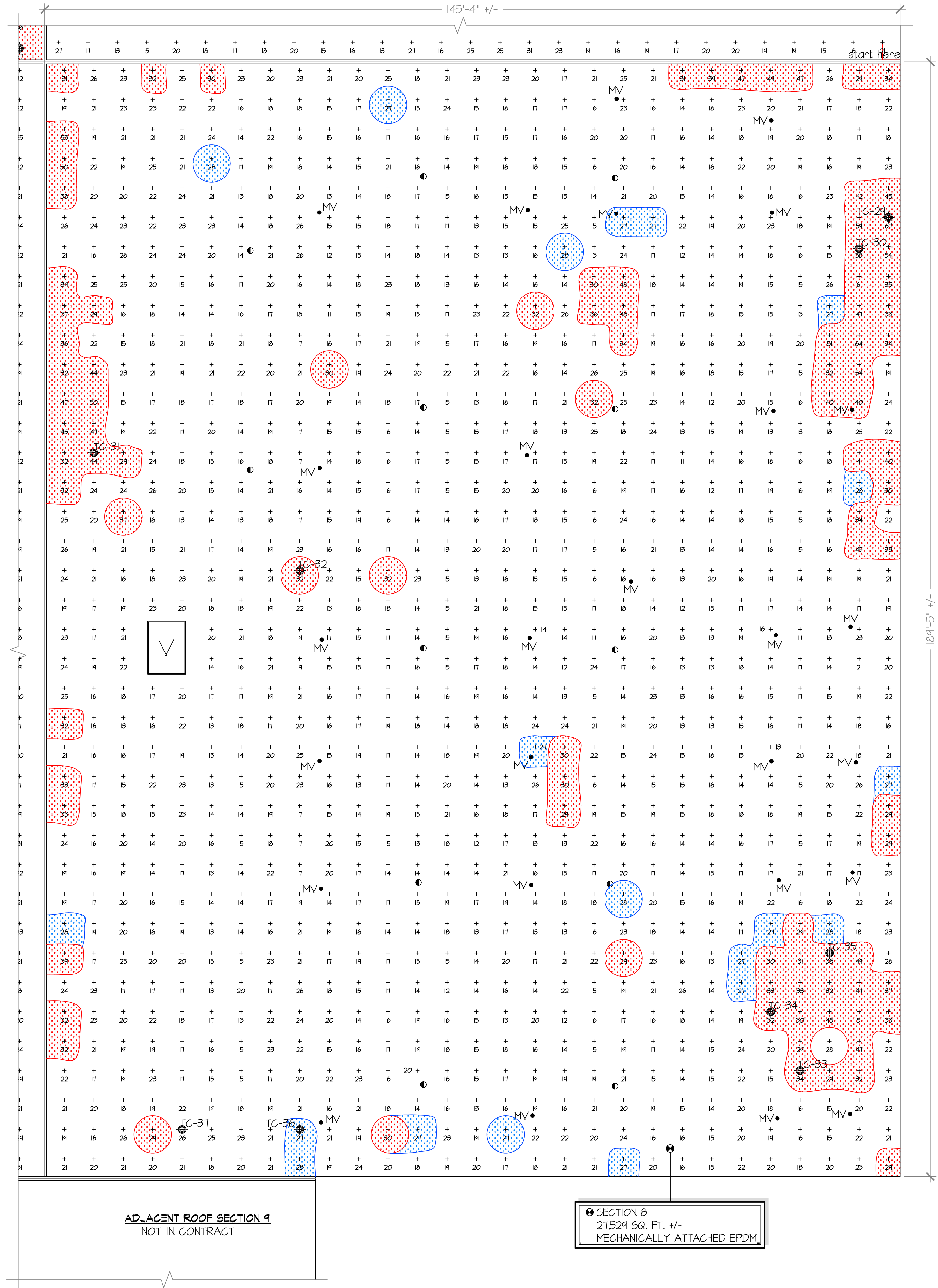
REVISIONS:	DATE:	DESCRIPTION:

DATE: 8/05/2022
DRAWN BY: D.C.S.
SCALE: 3/32"=1'-0"
CHECKED BY: J.R.L.G. IV



INFRARED MOISTURE SURVEY
CLIENT: SOUTHERN STATES COOPERATIVE
PROJECT: SOUTHERN STATES COOPERATIVE
ADDRESS: 1796 LEE HIGHWAY
CLOVERDALE, VA
DRAWING: ROOF PLAN

A6



ADJACENT ROOF SECTION 9
NOT IN CONTRACT

SECTION 8
21,529 SQ. FT. +/-
MECHANICALLY ATTACHED EPDM

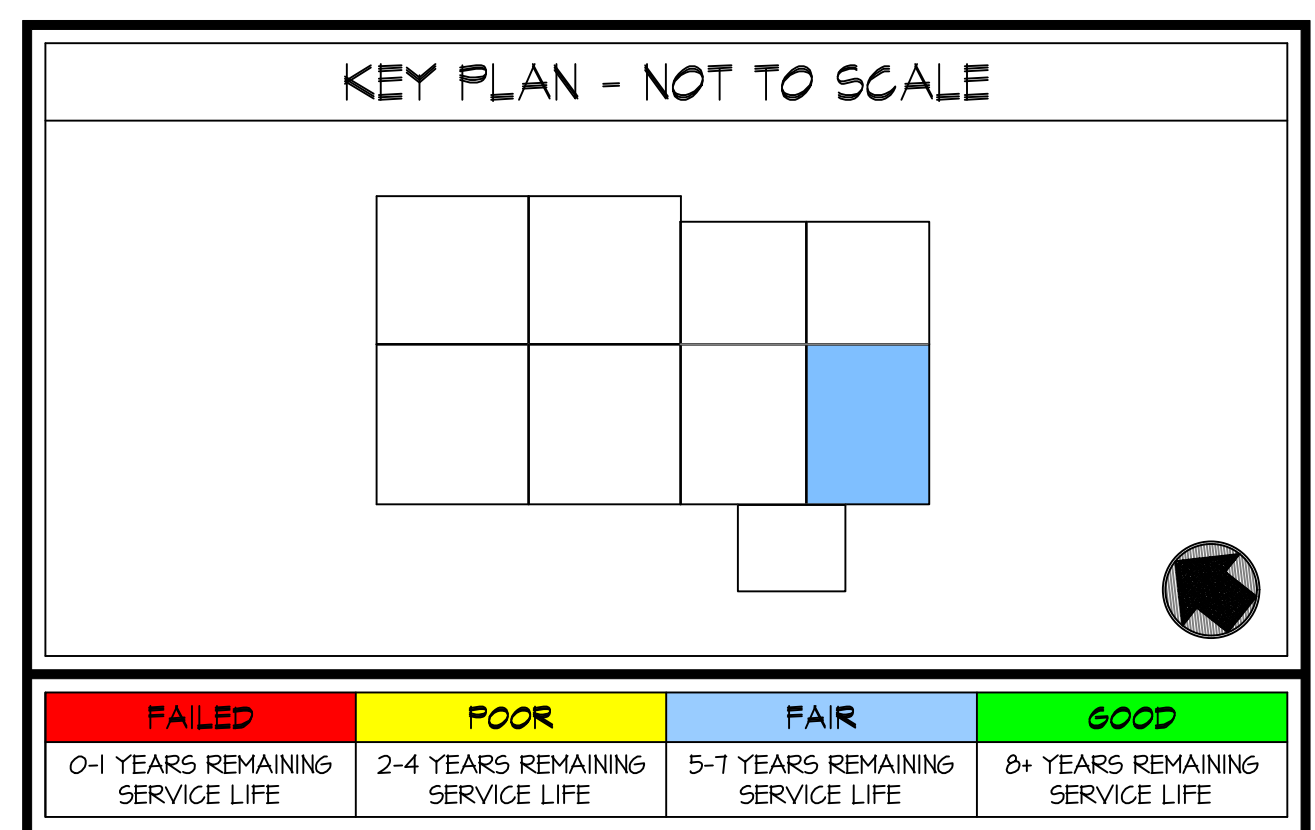
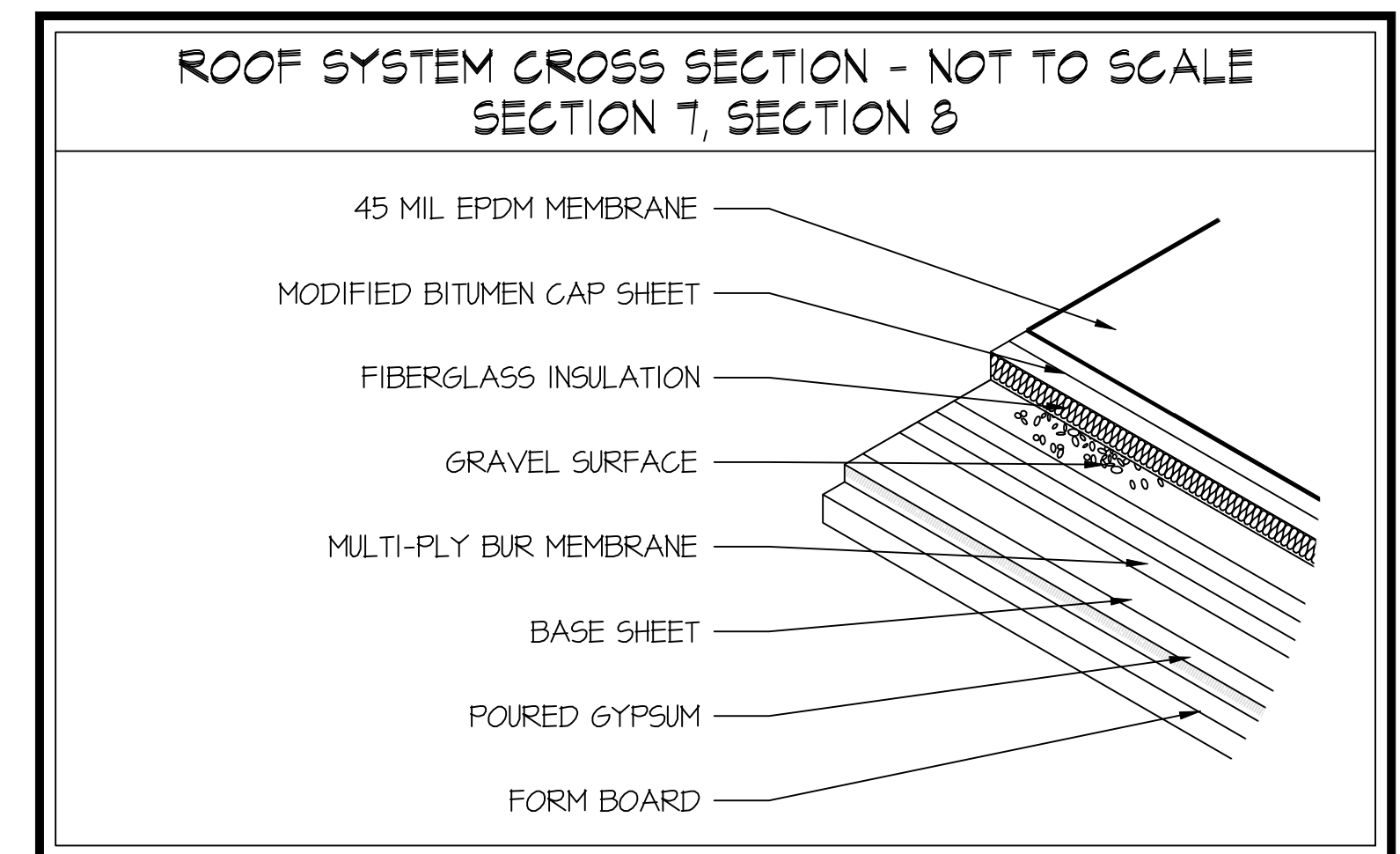
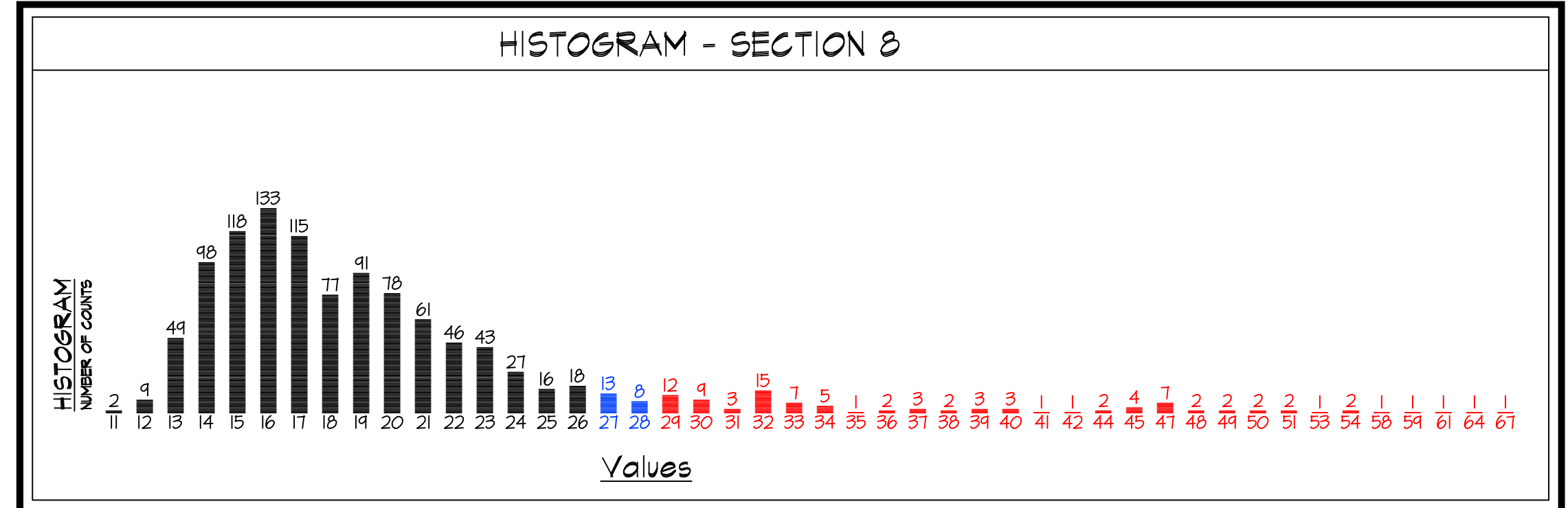
SECTION 8 CONTOUR LEGEND

MOISTURE LEVELS	LEGEND	VALUES	PERCENTAGE
LEVEL I - DRY		11-26	84.3%
LEVEL II - DAMP		27-28	1.9%
LEVEL III - WET		29-67	8.7%

SYMBOL LEGEND

- TC-# TEST CUT LOCATION NO.
- EXHAUST UNIT
- HP HOT PIPE
- MV MOISTURE RELIEF VENT
- PITCH POCKET
- P PIPE PENETRATION
- PLUMBING VENT
- ROOF DRAIN
- SQUARE VENT
- ROOF HATCH
- BUILT-IN SLEEPER
- AHU AHU ON CURB
- AHU AHU ON SUPPORT

NOTE: PENETRATIONS ARE APPROXIMATE IN SIZE AND LOCATION TO BE USED AS REFERENCE POINTS ONLY



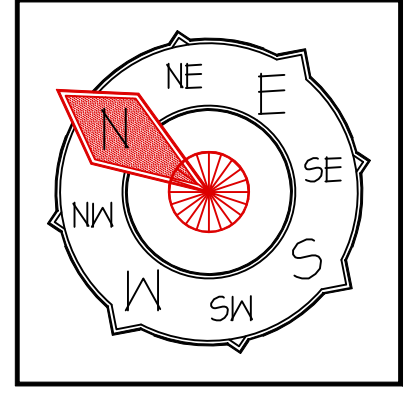
1 TOTAL PROJECT ROOF AREA - 254,661 SQ. FT. +/-
A7 SCALE: 3/32"=1'-0"

ros ROOF CONSULTING SERVICES, INC
P.O. BOX 9747
RICHMOND, VIRGINIA 23228
* SURVEYS * SPECIFICATIONS * INSPECTIONS *

(804) 515-0885

REVISIONS:	DATE:	DESCRIPTION:
MARK:		

DATE: 8/05/2022
DRAWN BY: D.C.S.
SCALE: 3/32"=1'-0"
CHECKED BY: J.R.L.G. IV



INFRARED MOISTURE SURVEY
CLIENT: SOUTHERN STATES COOPERATIVE
PROJECT: SOUTHERN STATES COOPERATIVE
ADDRESS: 1796 LEE HIGHWAY CLOVERDALE, VA
DRAWING: ROOF PLAN

